

RT 700 014 RE / 10.2010

**DE****Anleitung für Montage, Betrieb und Wartung**

Garagen-Rolltor

**EN****Instructions for Fitting, Operating and Maintenance**

Roller garage door

**FR****Instructions de montage, d'utilisation et d'entretien**

Porte de garage enroulable


**ES****Instrucciones de montaje, funcionamiento y mantenimiento**

Puerta de garaje enrollable

**RU****Руководство по монтажу, эксплуатации и техническому обслуживанию**

Гаражные рулонные ворота

**+****NL** NEDERLANDS**IT** ITALIANO**PT** PORTUGUÊS**PL** POLSKI**HU** MAGYAR**CS** ČESKY**SK** SLOVENSKO**NO** NORSK**SV** SVENSKA**FI** SUOMI**DA** DANSK**SL** SLOVENSKY**TR** TÜRKÇE**LT** LIETUVIŲ KALBA**ET** EESTI**LV** LATVIEŠU VALODA**HR** HRVATSKI**SR** SRPSKI**EL** ΕΛΛΗΝΙΚΑ**RO** ROMÂNĂ**BG** БЪЛГАРСКИ

<b>DE</b>	<b>Garagen-Rolltor</b> .....	<b>3</b>
<b>EN</b>	<b>Roller garage door</b> .....	<b>7</b>
<b>FR</b>	<b>Porte de garage enroulable</b> .....	<b>10</b>
<b>ES</b>	<b>Puerta de garaje enrollable</b> .....	<b>14</b>
<b>RU</b>	<b>Гаражные рулонные ворота</b> .....	<b>18</b>
<b>NL</b>	<b>Garageroldeur</b> .....	<b>22</b>
<b>IT</b>	<b>Serranda avvolgibile da garage</b> .....	<b>26</b>
<b>PT</b>	<b>Porta de enrolar de garagem</b> .....	<b>30</b>
<b>PL</b>	<b>Garażowa brama rolowana</b> .....	<b>34</b>
<b>HU</b>	<b>Garázs-redőnykapu</b> .....	<b>38</b>
<b>CS</b>	<b>Rolovací garážová vrata</b> .....	<b>42</b>
<b>SL</b>	<b>Navojna garažna vrata</b> .....	<b>45</b>
<b>NO</b>	<b>Garasjerulleport</b> .....	<b>49</b>
<b>SV</b>	<b>Garagerullport</b> .....	<b>52</b>
<b>FI</b>	<b>Autotallin rullaovi</b> .....	<b>55</b>
<b>DA</b>	<b>Rulleport til garager</b> .....	<b>58</b>
<b>SK</b>	<b>Garážová rolovacia brána</b> .....	<b>61</b>
<b>TR</b>	<b>Sarmal garaj kapısı</b> .....	<b>64</b>
<b>LT</b>	<b>Susukami garažo vartai</b> .....	<b>67</b>
<b>ET</b>	<b>Garaaži rulluks</b> .....	<b>71</b>
<b>LV</b>	<b>Garāžas ruļļu vārti</b> .....	<b>74</b>
<b>HR</b>	<b>Garažna rolo vrata</b> .....	<b>78</b>
<b>SR</b>	<b>Garažna rolo vrata</b> .....	<b>81</b>
<b>EL</b>	<b>Γκαραζόπορτα ρολό</b> .....	<b>84</b>
<b>RO</b>	<b>Ușă rulou pentru garaj</b> .....	<b>88</b>
<b>BG</b>	<b>Гаражна ролетна врата</b> .....	<b>92</b>
	.....	<b>96</b>

## Table of Contents

<b>1</b>	<b>⚠ Safety Instructions</b> .....	<b>7</b>
1.1	Qualified persons.....	7
1.2	Symbols and signal words used.....	7
1.3	Intended use.....	8
1.4	General safety instructions.....	8
<b>2</b>	<b>Fitting and Initial Start-Up</b> .....	<b>8</b>
2.1	Safety instructions.....	8
2.2	Fitting.....	8
2.2.1	Removing the screw.....	8
2.3	Initial start-up.....	8
2.3.1	Checking the door spring tension (Figure 10.3).....	8
<b>3</b>	<b>Inspection and Maintenance</b> .....	<b>9</b>
3.1	Safety instructions.....	9
3.2	Checking the condition of the door.....	9
3.3	Checking the door spring tension.....	9
3.4	Replacing the door springs.....	9
3.5	Checking the pressure roller, return pulley and lifting cables.....	9
3.6	Checking the chain tension (Figure 6.2-5/12.4-1).....	9
3.7	Accessories .....	9
<b>4</b>	<b>Cleaning and Care</b> .....	<b>9</b>
4.1	Door curtain.....	9
4.2	Data plate .....	9
<b>5</b>	<b>Assistance with Malfunctions</b> .....	<b>9</b>
<b>6</b>	<b>Dismantling</b> .....	<b>9</b>
	<b>Illustrated section</b> .....	<b>96</b>



Make sure that these instructions remain with the door operator!

### Read and follow these instructions carefully!

They provide you with important information on safe fitting and operation, as well as proper care and maintenance of your garage door.

Keep these instructions and the warranty booklet with the declaration of conformity in a safe place.

Enter the serial number (see the data plate) here.

Serial no.: .....

## 1 ⚠ Safety Instructions

**The manufacturer is not liable for damage resulting from non-compliance with these instructions and the safety instructions.**

### 1.1 Qualified persons

Have a qualified person (competent persons in acc. with EN 12635) fit, start-up and maintain the door following these instructions. While doing so, the requirements listed in the standards EN 12604 and EN 12635 must be observed.

### 1.2 Symbols and signal words used

Special safety information is provided at respective important points in these instructions. They are identified by the following symbols and signal words.



The general warning symbol indicates a danger that can lead to **injury or death**.

#### ⚠ WARNING

Indicates a danger that can lead to death or serious injuries.

#### ⚠ CAUTION

Indicates a danger that can lead to minor or moderate injuries.

#### ATTENTION

Indicates a danger that can lead to **damage or destruction of the product**.



Important note for avoiding damage to property



Permissible arrangement or activity



Non-permissible arrangement or activity



See the text section (e.g. Section 2.2.1)



See illustrated section (e.g. Section Punkt 2.1)

Dissemination as well as duplication of this document and the use and communication of its content are prohibited unless explicitly permitted. Noncompliance will result in damage compensation obligations. All rights reserved in the event of patent, utility model or design model registration. Subject to changes.



See separate Fitting Instructions for the control or for the additional electrical control elements



Risk of impact



Operator locked



Operator unlocked



Optional components



Inspect



Tighten the screws by hand



Tighten the screws firmly



Audible engagement



Remove and dispose of component or packaging

### 1.3 Intended use

- The garage door is only intended for private use. If you would like to use the door in a commercial application, first check whether the currently valid national and international regulations permit such use.
- The garage door is suitable for use outside; it opens and closes vertically.
- The garage door is intended to be used with an operator. The roller garage door operator is designed for operation in dry areas. Also follow the separate instructions for the control.

### 1.4 General safety instructions

- Always keep the door's area of travel free from obstructions. When in operation, make sure that neither persons, children in particular, nor objects are located within the door's area of travel.
- Never use the door to lift objects and/or persons.

- Do not alter or remove any components! You could otherwise risk putting important safety components out of action. Only use original parts intended for use with this particular garage door.
- Protect the door from caustic, aggressive substances, e.g. nitrous reactions from stones or mortar, acids, alkali solutions, de-icing salt, aggressive paints or sealants.
- Make sure that there is sufficient water run-off and ventilation (drying) in the lower section of the side guides.
- Operation of the door during heavy winds may be dangerous.

## 2 Fitting and Initial Start-Up

### 2.1 Safety instructions

#### ⚠ WARNING

##### Danger of injury

There is a danger of injury during fitting. Observe the following instructions:



- ▶ Wear safety glasses and protective gloves.



- ▶ Check that the fixing materials supplied are suitable for the given structural conditions. Only use suitable fixing material.
- ▶ Secure the door from falling.

#### ATTENTION

##### Damage to the product

Observe the following instructions:

- ▶ Throughout fitting, protect the door's components, especially the door curtain, from dirt and damage.
- ▶ Fasten the side guides with 6 or 8 screws on each side. Otherwise the wind load indicated on the data plate is not ensured.

### 2.2 Fitting

The garage door can be fitted from the inside behind the opening or in the opening (see Figure V).

All the dimensions stated in the illustrated section are in mm.

#### 2.2.1 Removing the screw

- ▶ Remove the screw from the bearing insert to adjust the length of the octagonal shaft.

**To ensure simple and safe fitting, carefully go through the work steps illustrated in Figures 1 to 12.7!**

### 2.3 Initial start-up

#### 2.3.1 Checking the door spring tension (Figure 10.3)

- ▶ Open the door and then close it to any height. The door must remain in the respective position.

**⚠ CAUTION****Door spring tension**

Improper adjustment of the door spring tension may result in injuries.

- ▶ Only have a specialist adjust the door spring tension in accordance with Figure 10.4.
- ▶ Before adjusting the door spring tension, secure the spring holders with the spring plugs.

**If the door moves substantially downwards:**

- ▶ Increase the spring tension.

**If the door moves substantially upwards:**

- ▶ Decrease the spring tension.

Perform a test run and check the door in accordance with Chapter 3, *Inspection and Maintenance*.

When properly fitted and inspected, the garage door can be easily moved, is functionally safe and easy to operate.

**3 Inspection and Maintenance****3.1 Safety instructions**

- ▶ Have a specialist perform inspection and maintenance work on the door at least every 6 months in accordance with these instructions.

**⚠ WARNING****Door travel**

There is a danger of injury in the door's area of travel.

- ▶ When in operation, make sure that neither persons, children in particular, nor objects are located within the door's area of travel.
- ▶ Disconnect the operator and control from the power supply.
- ▶ Functional parts, particularly safety components, may only be exchanged by a specialist.

**3.2 Checking the condition of the door**

- ▶ Visually inspect the general condition of the door, all components, and safety devices for completeness, proper condition, and effectiveness.
- ▶ Check that all of the fixing points are tight. Tighten the screws if necessary.

**3.3 Checking the door spring tension**

See Chapter 2, *Fitting and Initial Start-Up*.

**3.4 Replacing the door springs**

- ▶ Have the door springs replaced by a specialist after approx. 20,000 door cycles.

This is required at the following approximate time:

Door cycles per day	Period
Up to 5	Every 12 years
6 – 10	Every 7 years
11 – 15	Every 4 years
16 – 35	Every 2 years
Over 35	Yearly

**3.5 Checking the pressure roller, return pulley and lifting cables**

- ▶ Clean the pressure rollers, return pulley and bolt.
- ▶ Check the rollers for wear. Have the rollers replaced by a specialist if they are greatly worn or damaged.
- ▶ Oil the bolt on the return pulley with a drop of commercially available penetrating/lubricating oil (see Figure 10.2-5).
- ▶ Check the lifting cables for breaks or damage. Have a specialist replace any damaged lifting cables.

**3.6 Checking the chain tension (Figure 6.2-5/12.4-1)**

- ▶ Check the chain tension in accordance with Figure 6.2-5/12.4-1. If necessary, set the chain tension by adjusting the operator.

**3.7 Accessories**

- To ensure a high level of quality, safety, reliability, as well as a long service life, only use original parts intended for this particular garage door.
- You can optionally receive the fitting compensation set (Figure 2.1a).

**4 Cleaning and Care**

The design of the roller garage door represents state-of-the-art technology. Pressure marks and abrasive wear, particularly on the top profiles, are a condition of the design and cannot be avoided. They are not considered a reason for complaint.

- ▶ In order to avoid excessive friction, remove any soiling from the door curtain at regular intervals.

**4.1 Door curtain**

- ▶ Clean the door surfaces with clear water, a soft sponge and a neutral, non-abrasive cleaning agent.

**4.2 Data plate**

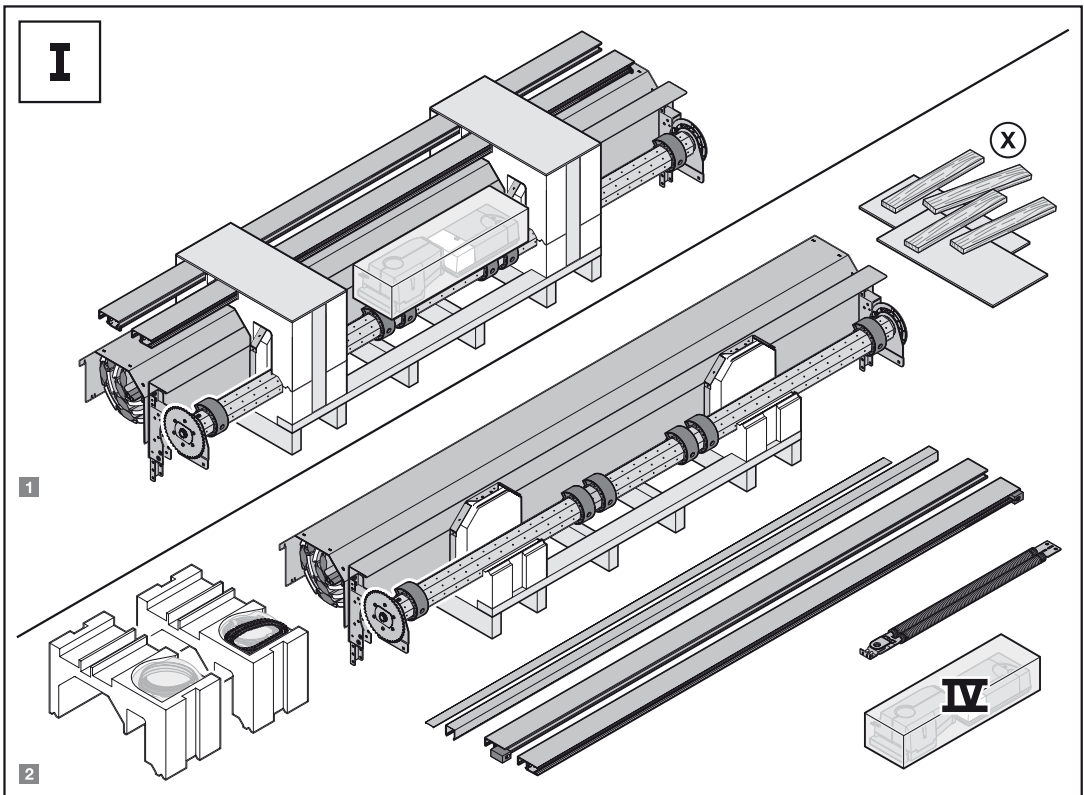
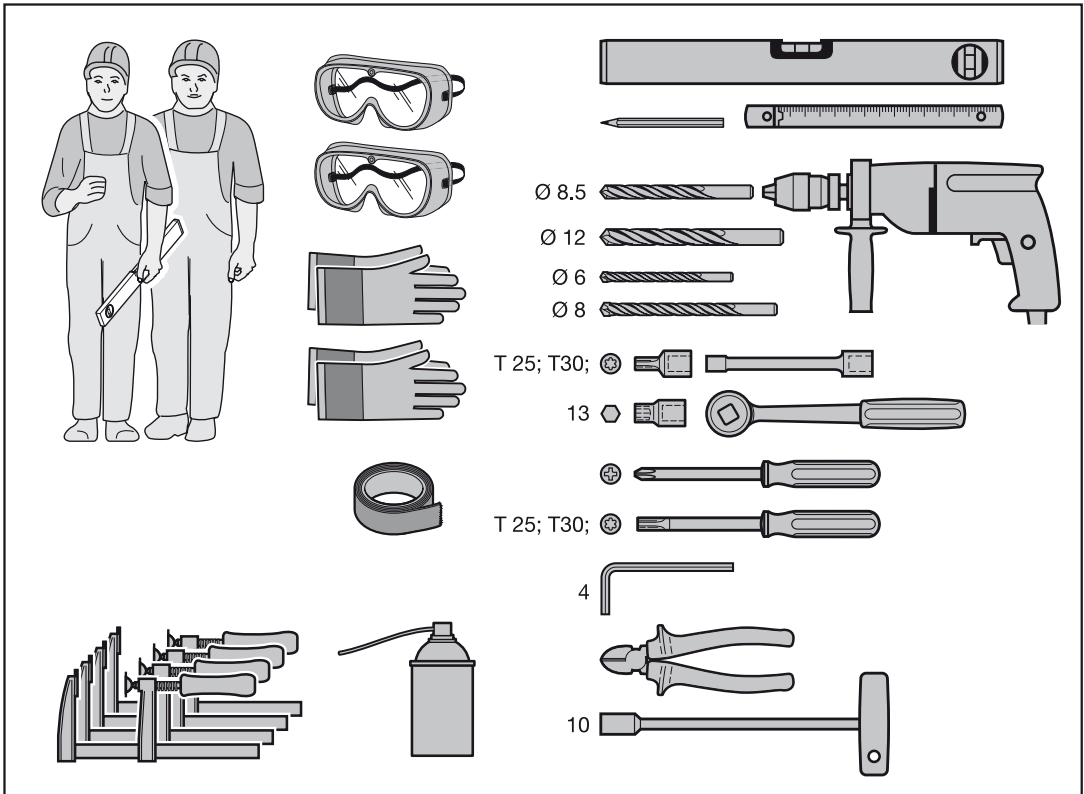
- ▶ Clean the data plate. It must always be easy to read.

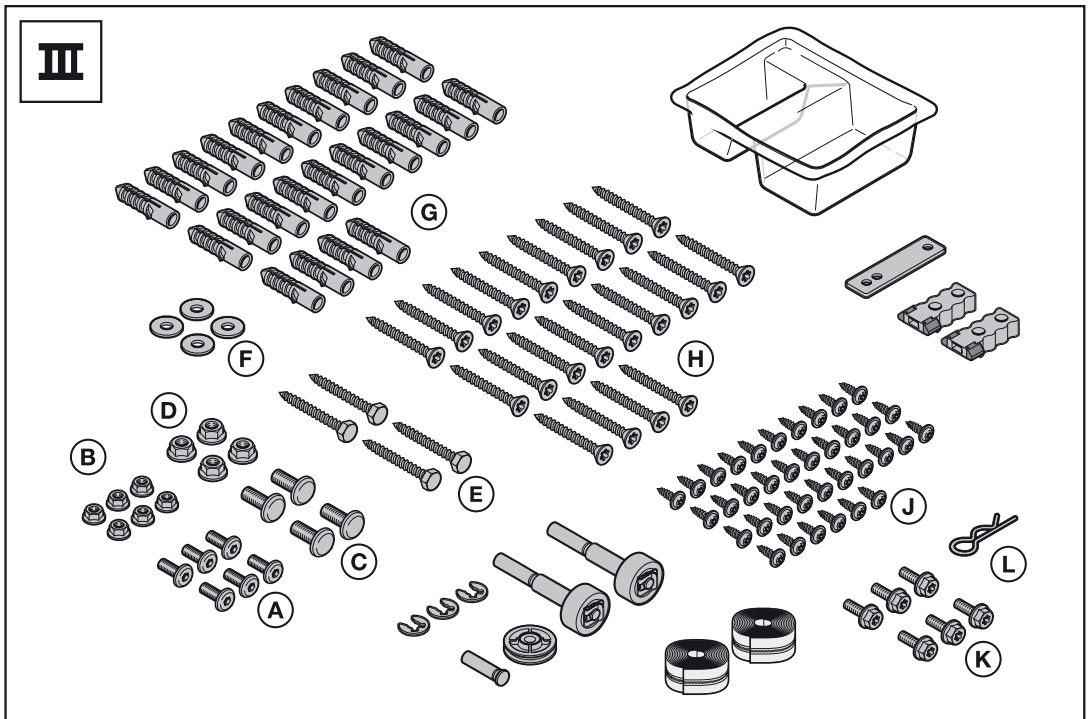
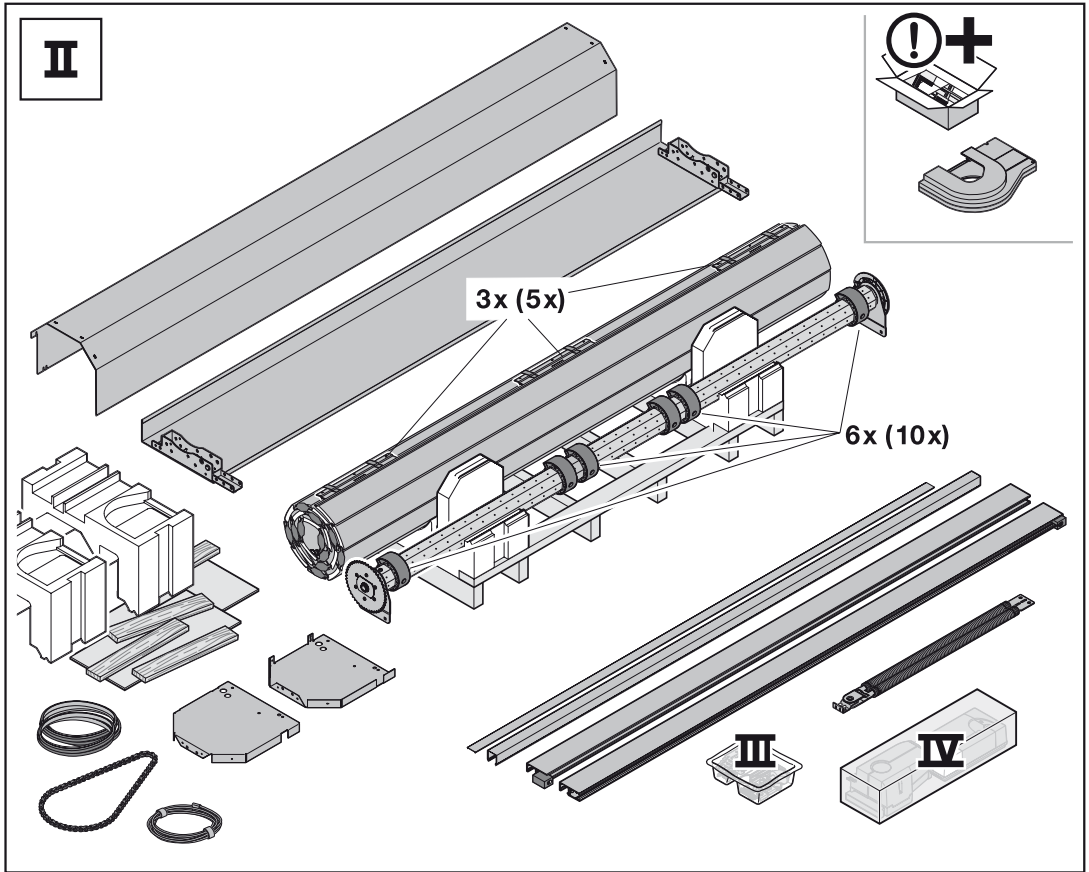
**5 Assistance with Malfunctions****If the door is difficult to move or exhibits other malfunctions:**

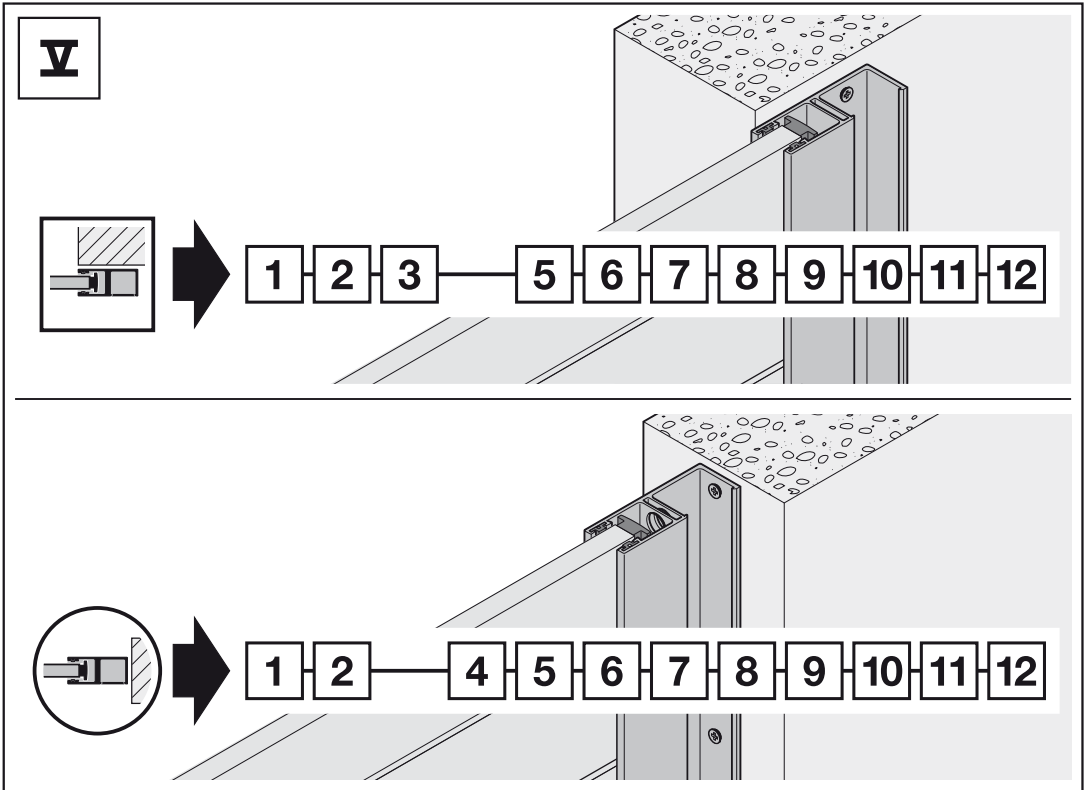
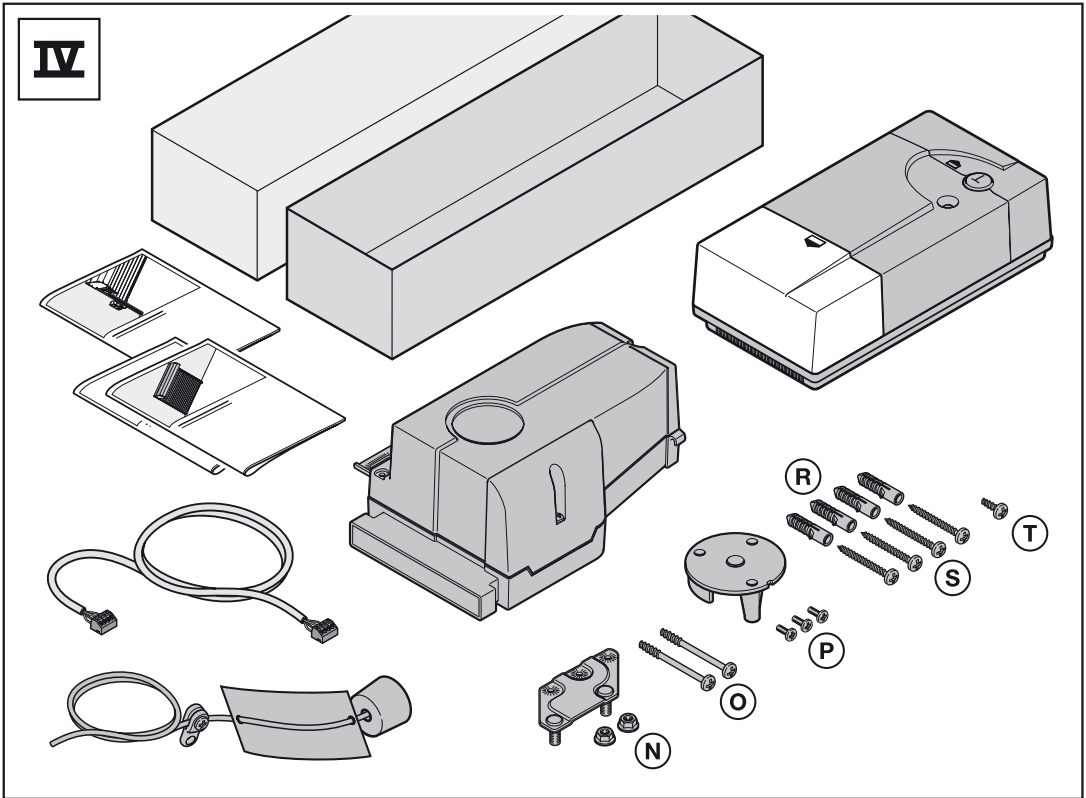
- ▶ Check all the functional parts. To do this, please follow the instructions in Chapter 3, *Inspection and Maintenance*.
- ▶ In the case of uncertainty, contact a specialist for assistance.

**6 Dismantling**

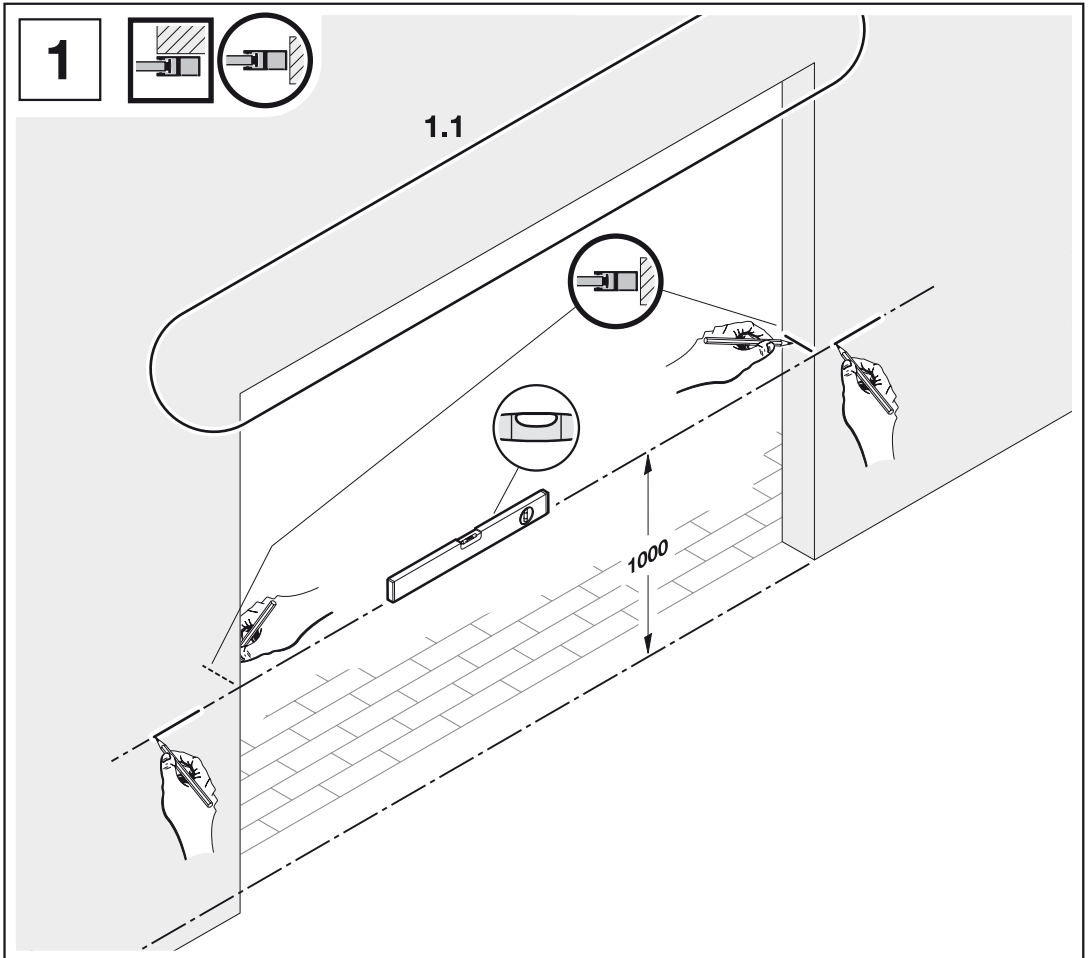
Have the door dismantled and disposed of by a specialist.







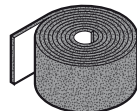




1.1a



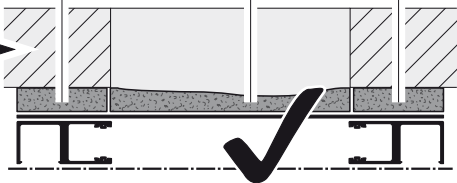
1.1b

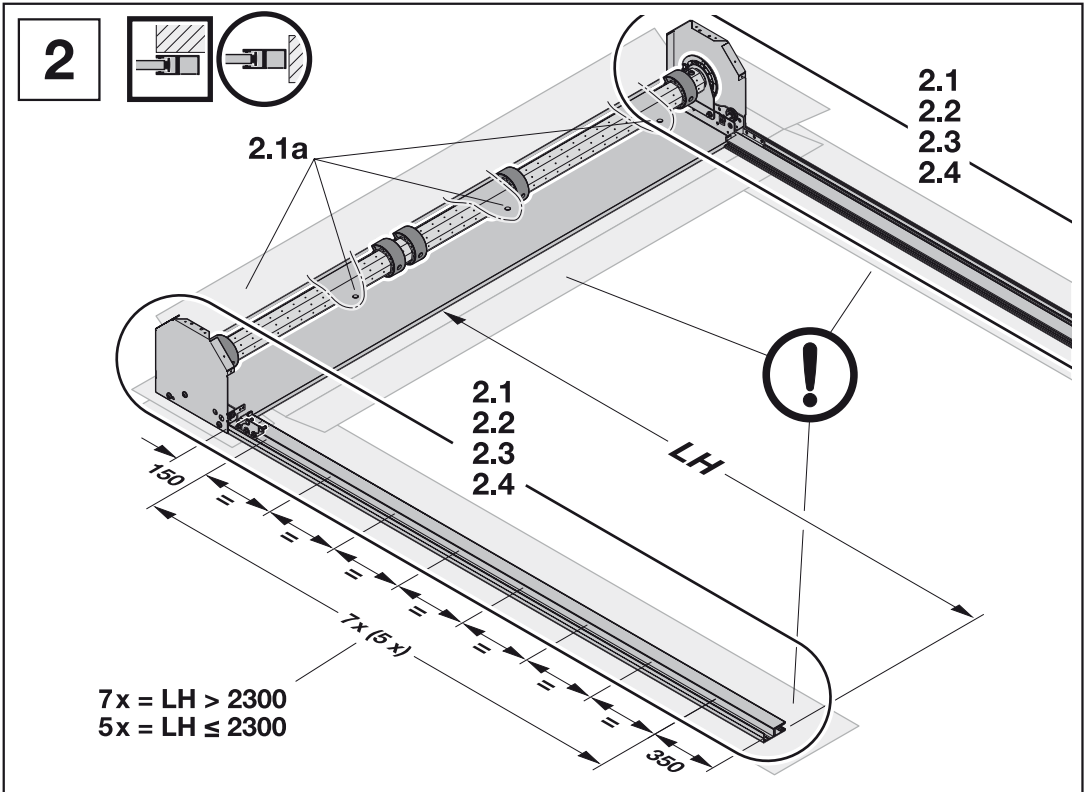


A

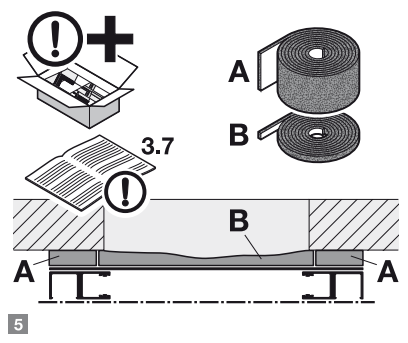
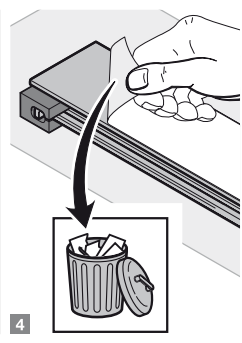
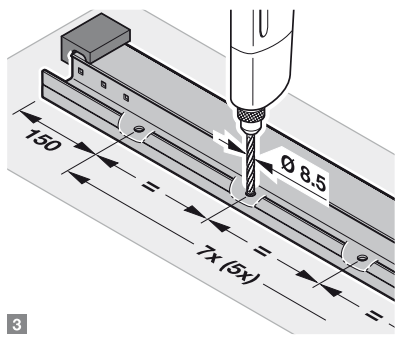
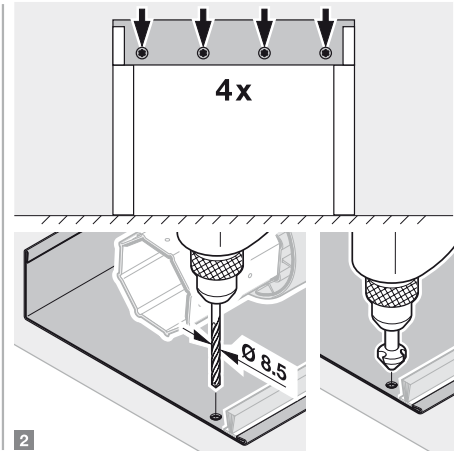
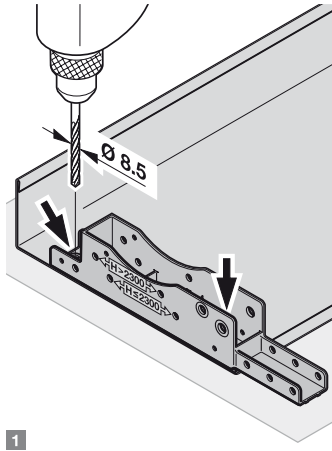
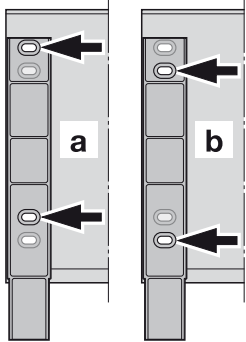
B

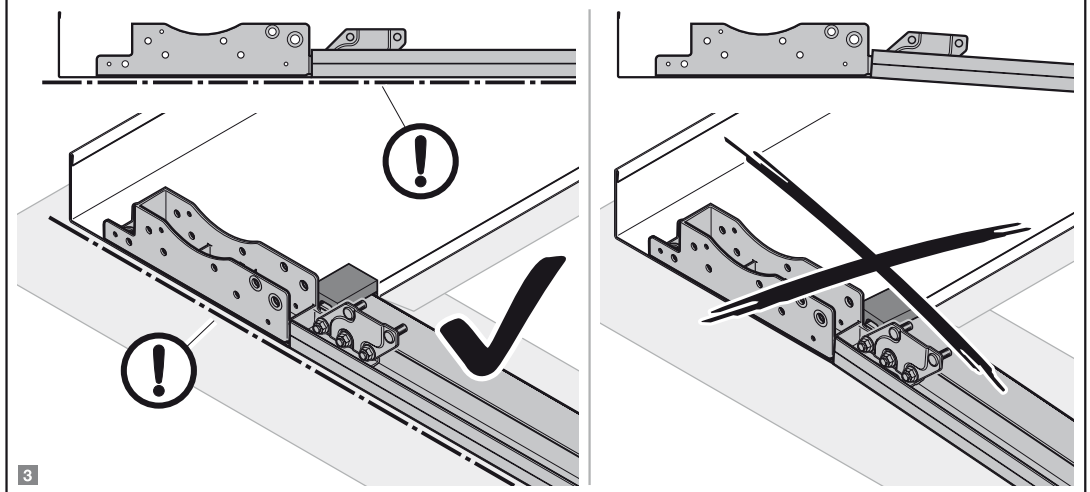
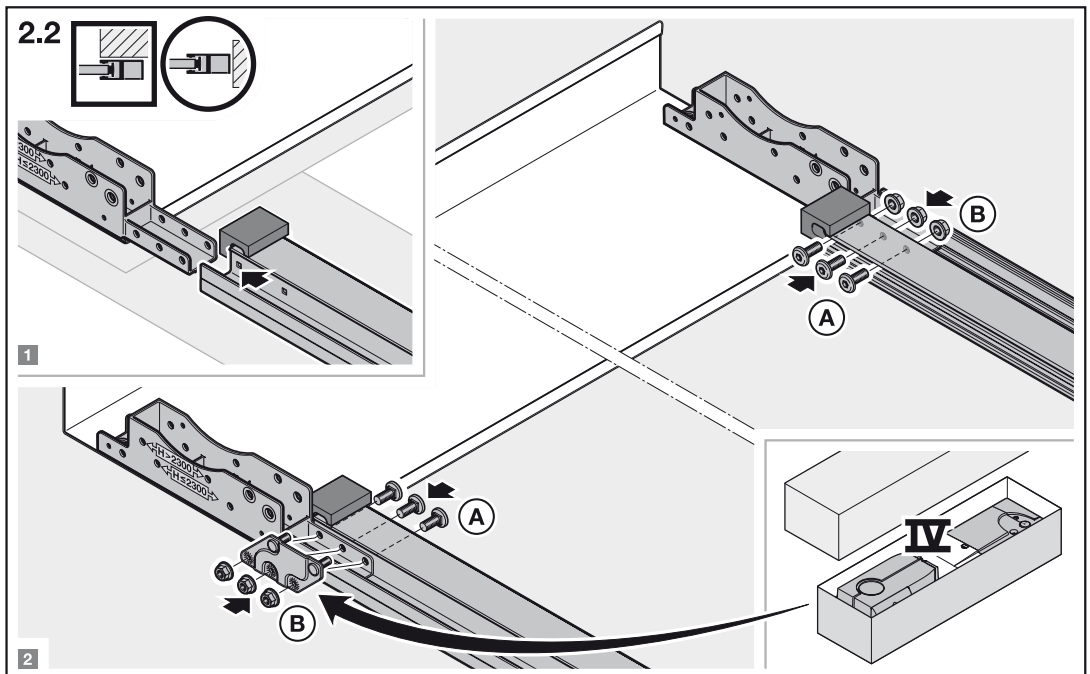
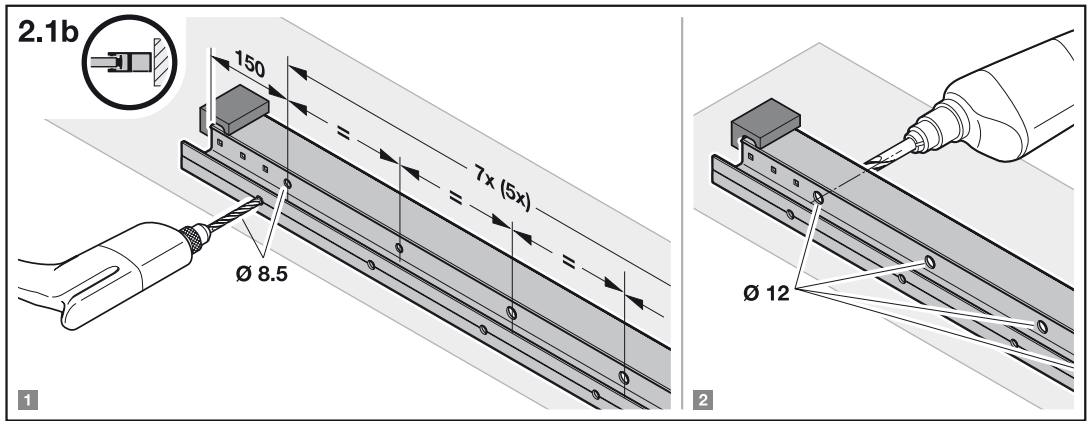
A

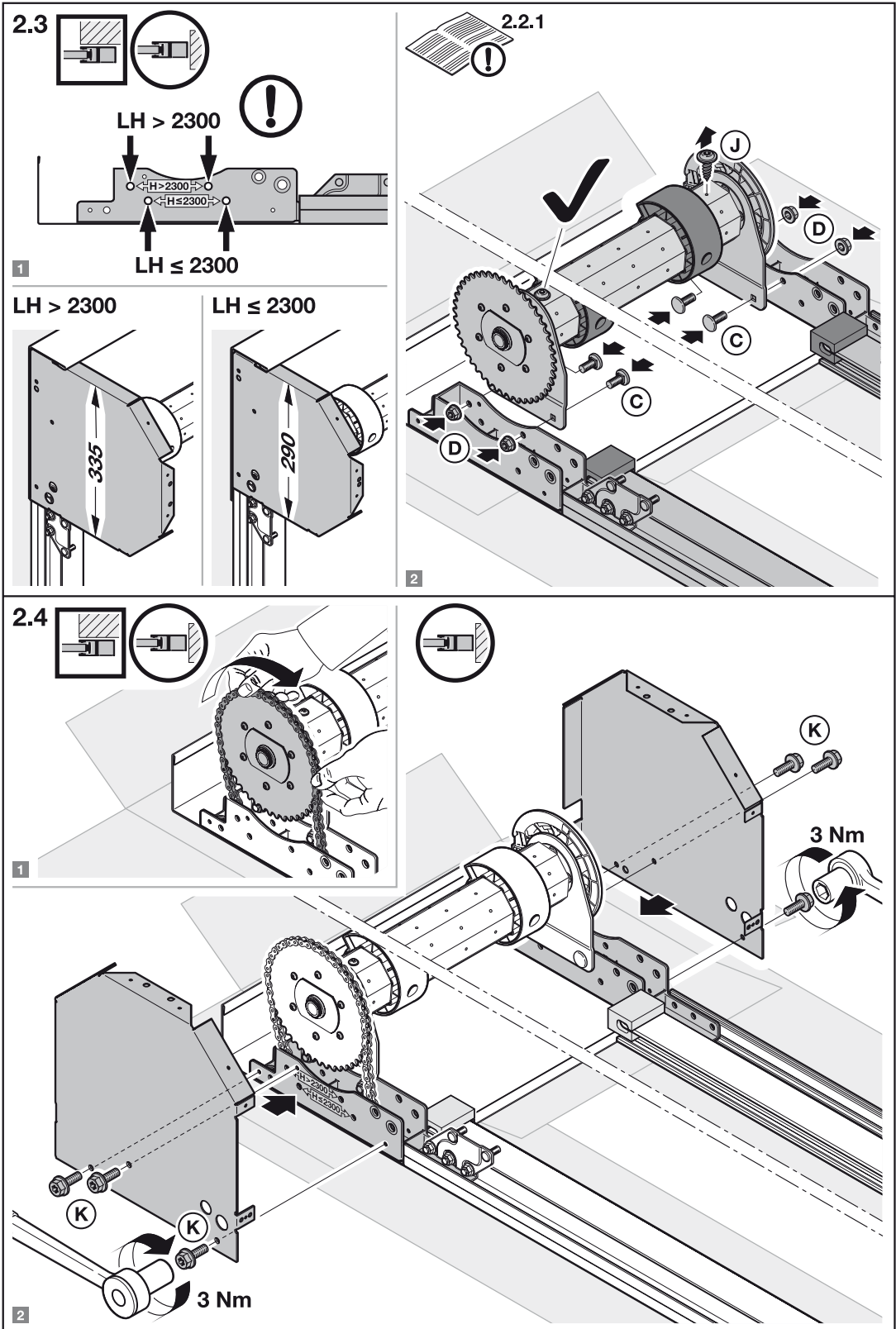


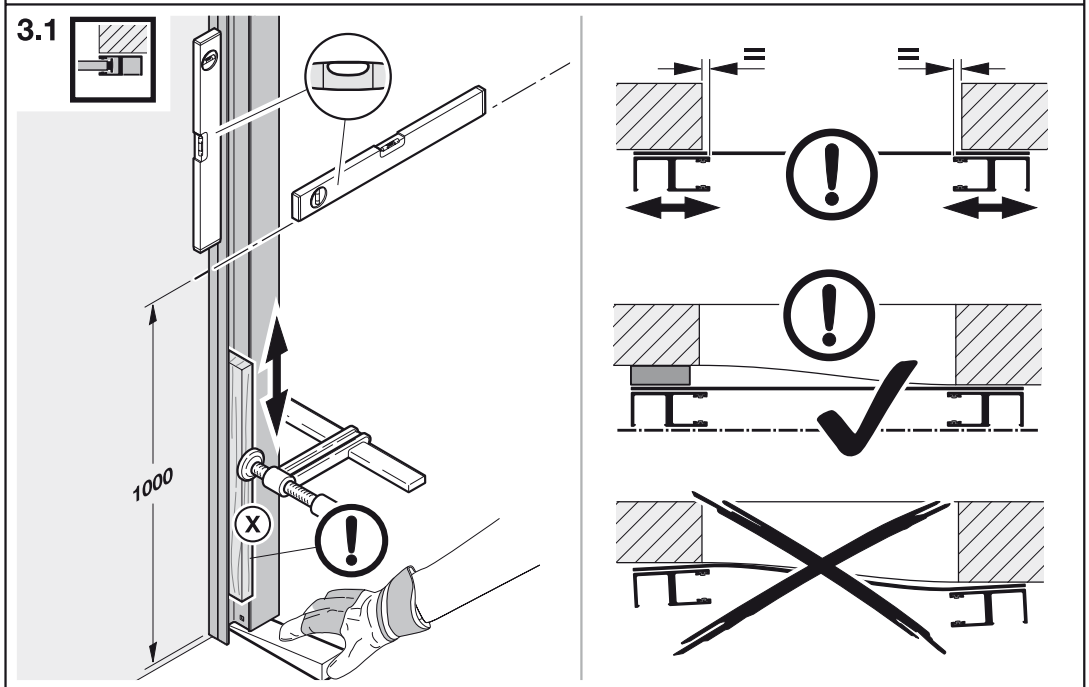
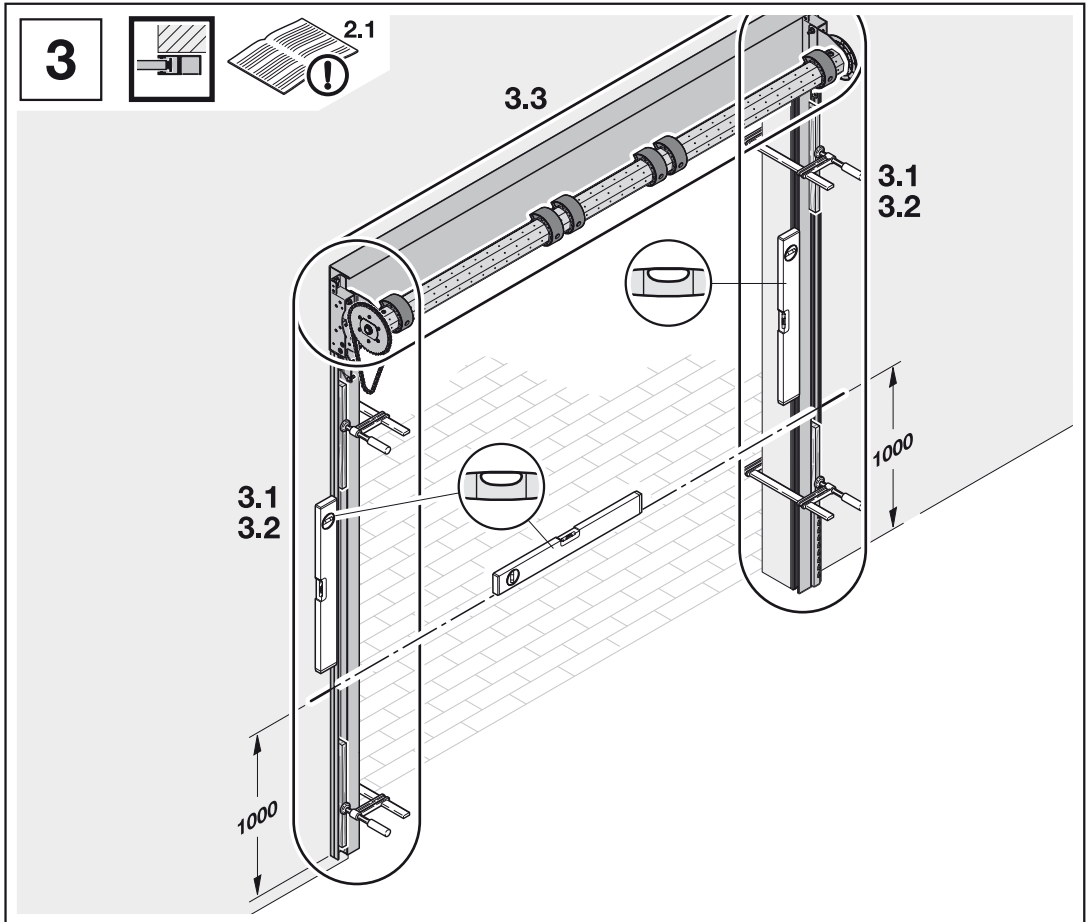


**2.1a**

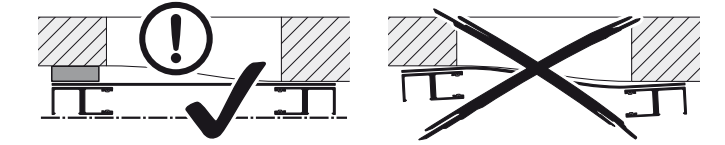
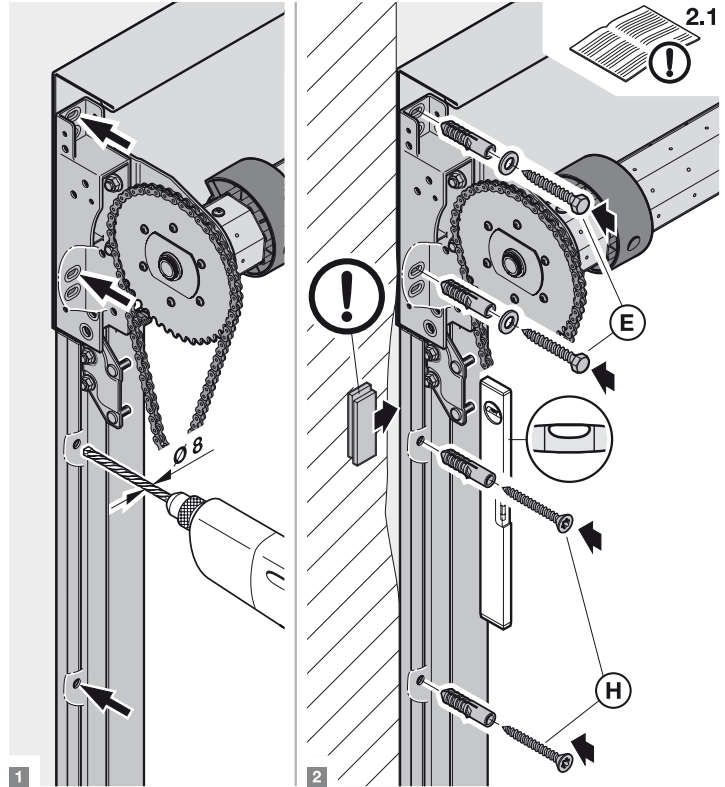
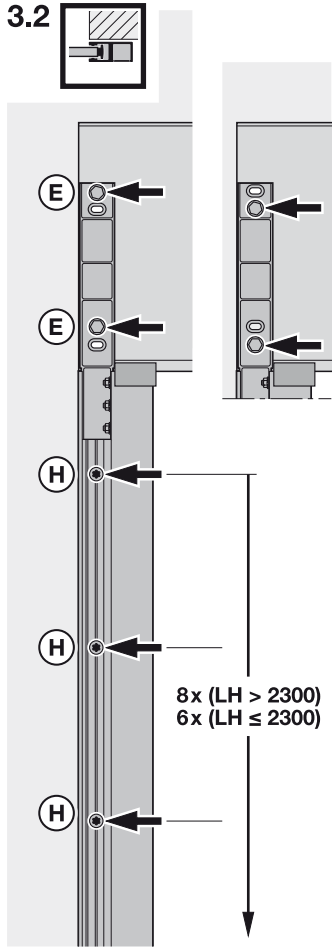




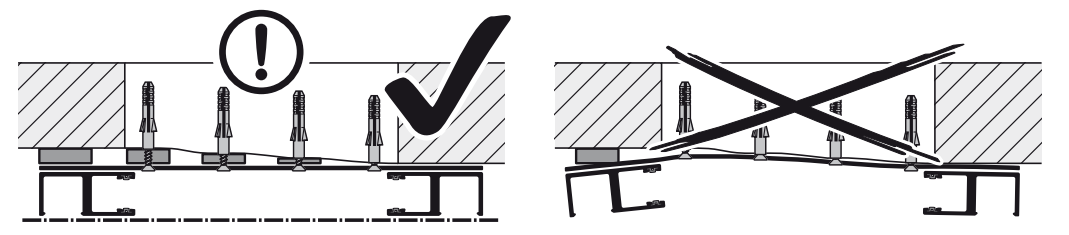
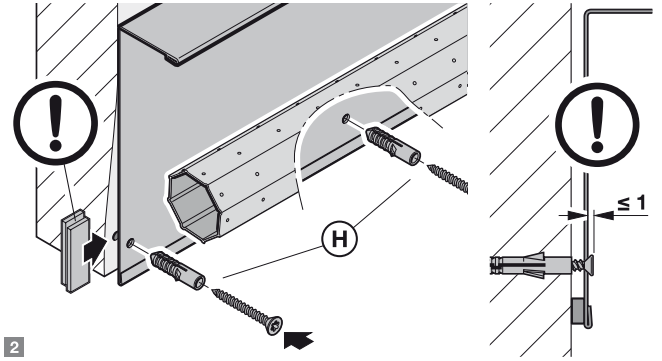
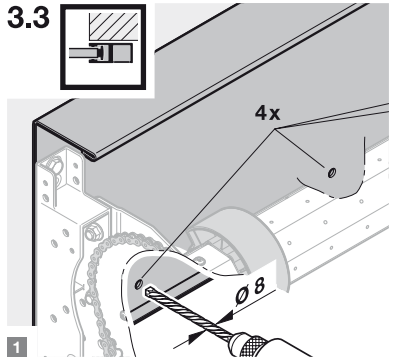


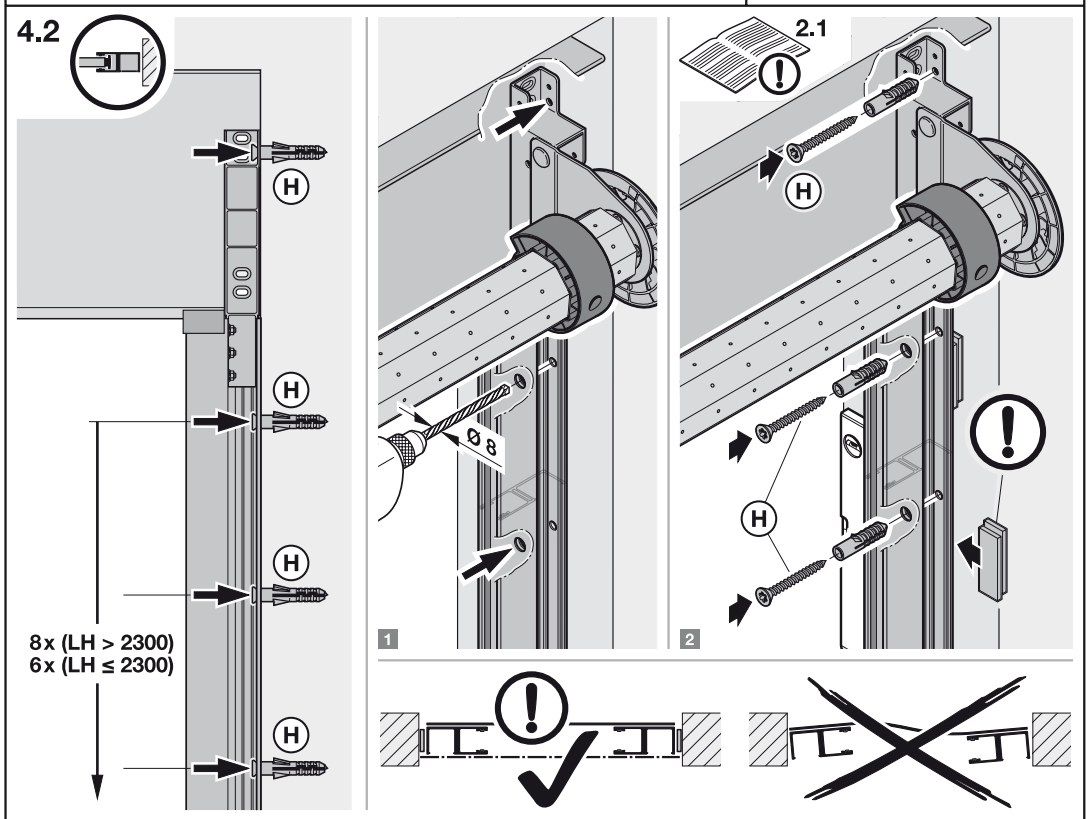
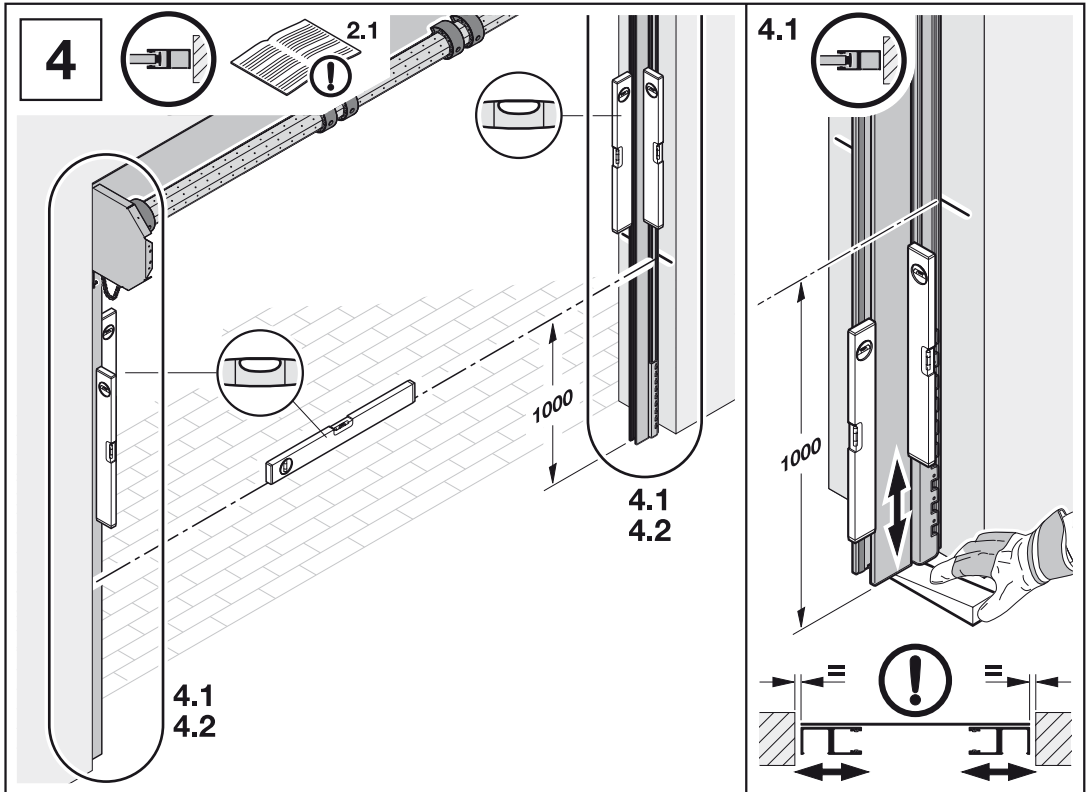


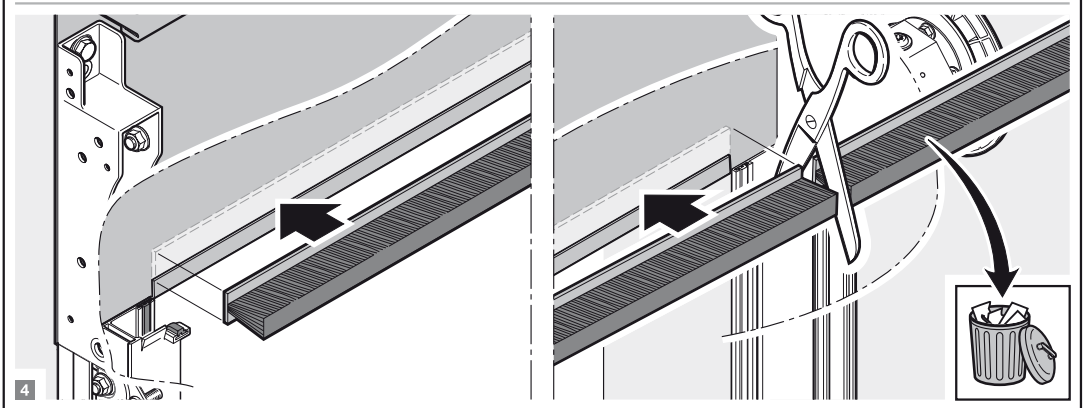
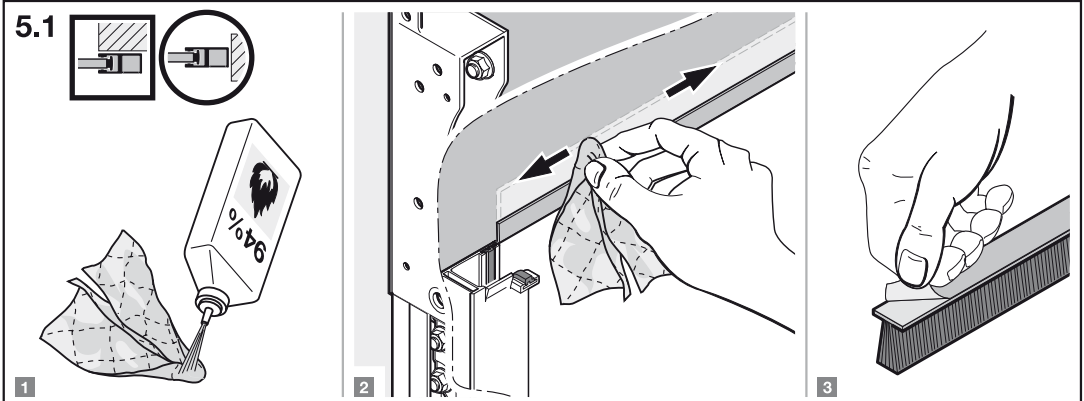
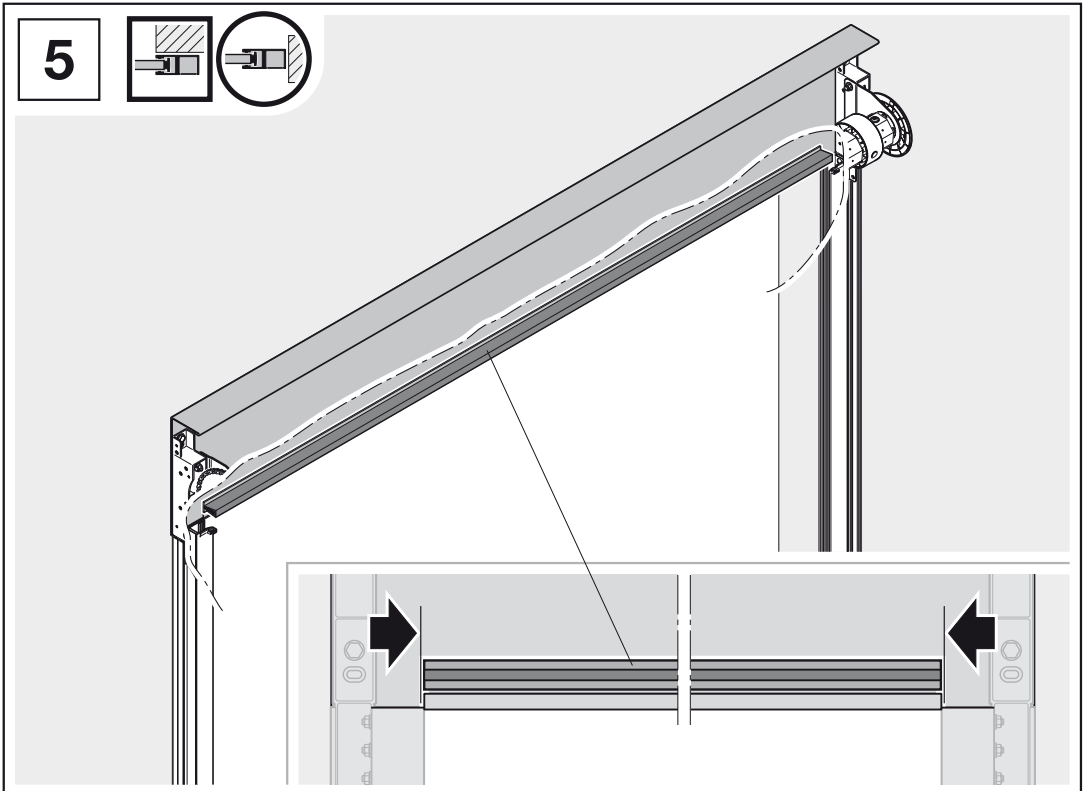
3.2



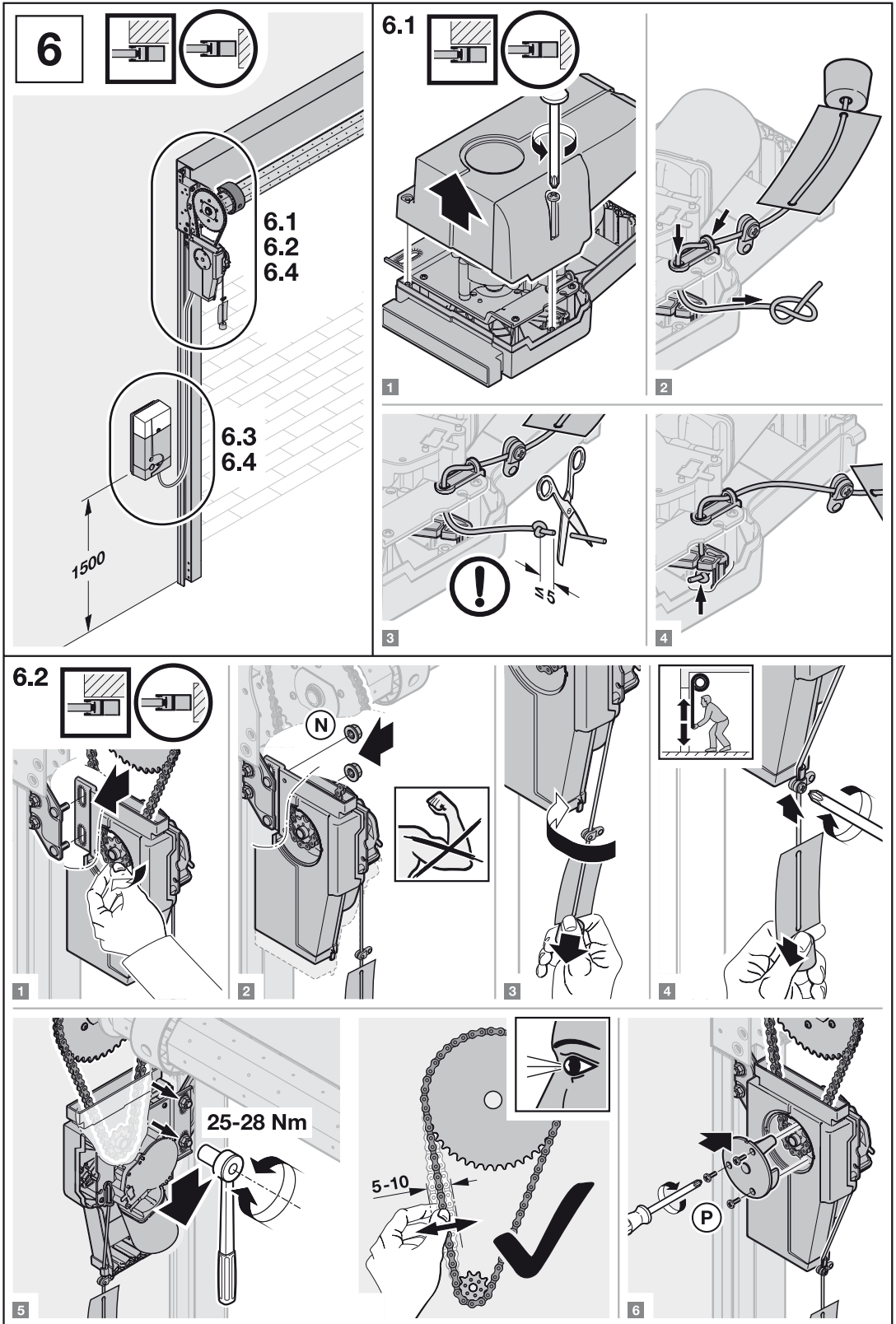
3.3



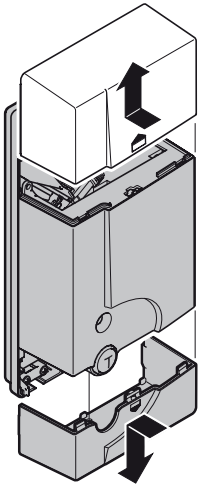




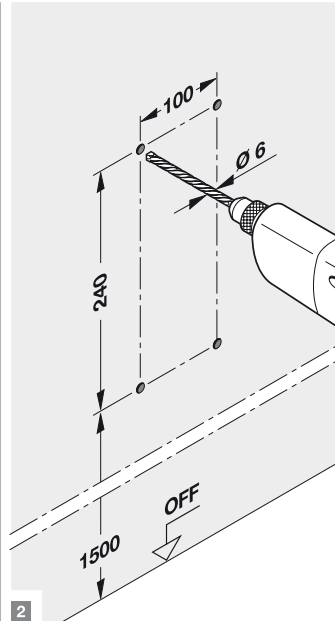




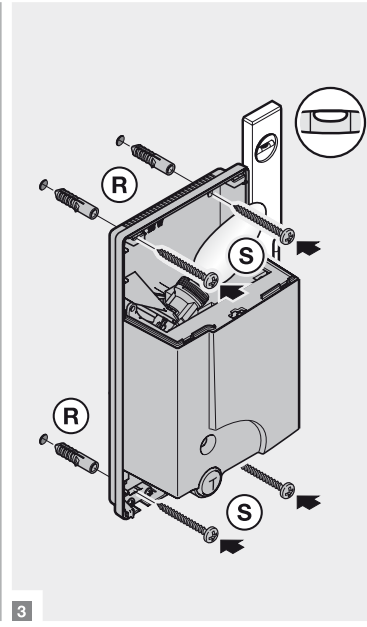
6.3



1

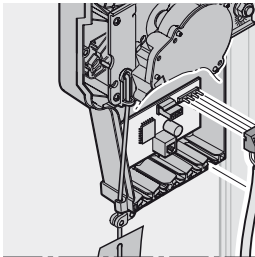


2

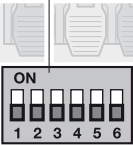
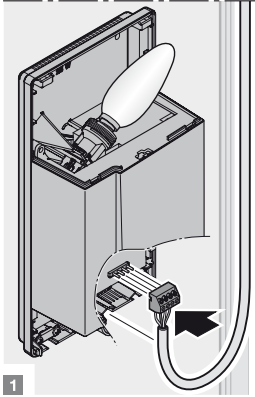
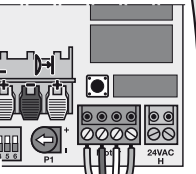
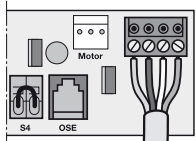


3

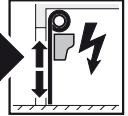
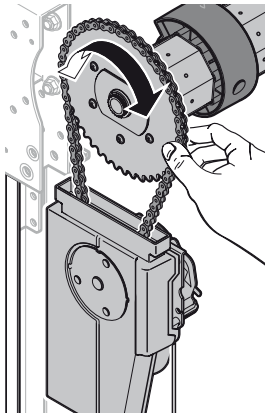
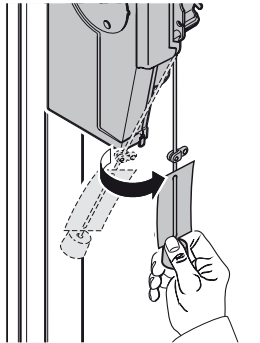
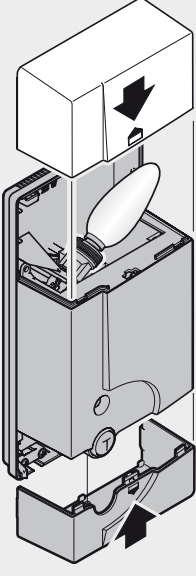
6.4



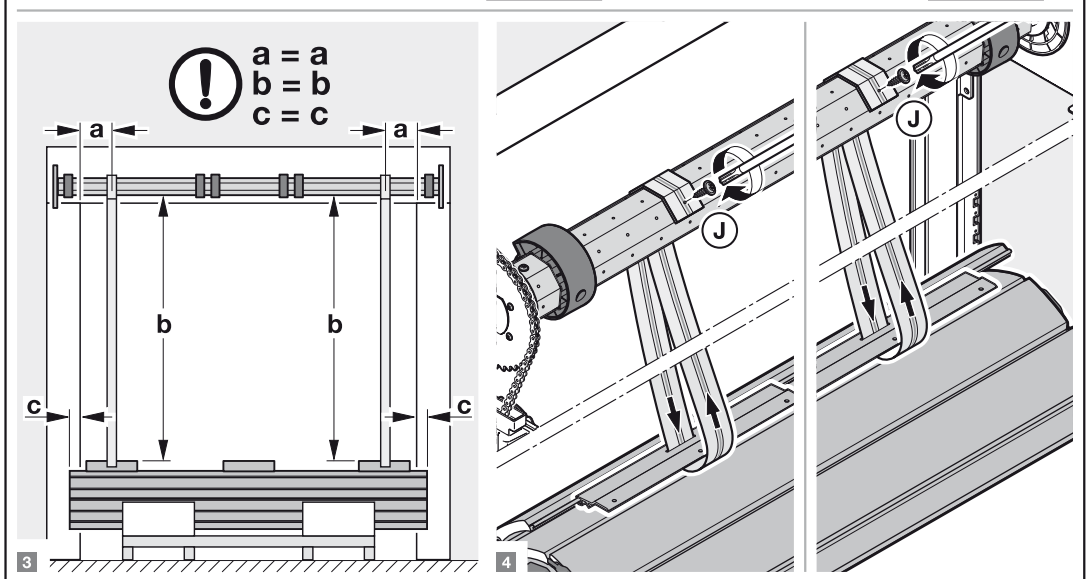
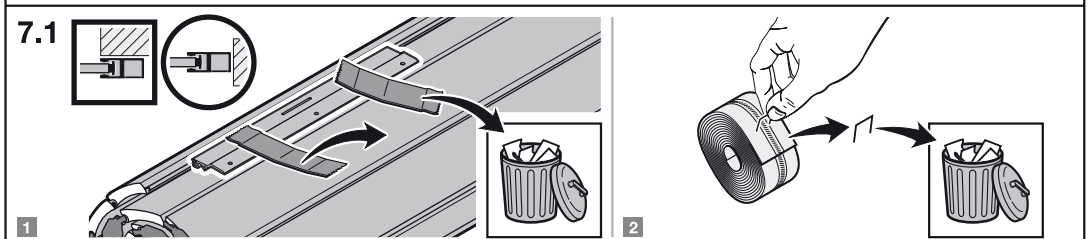
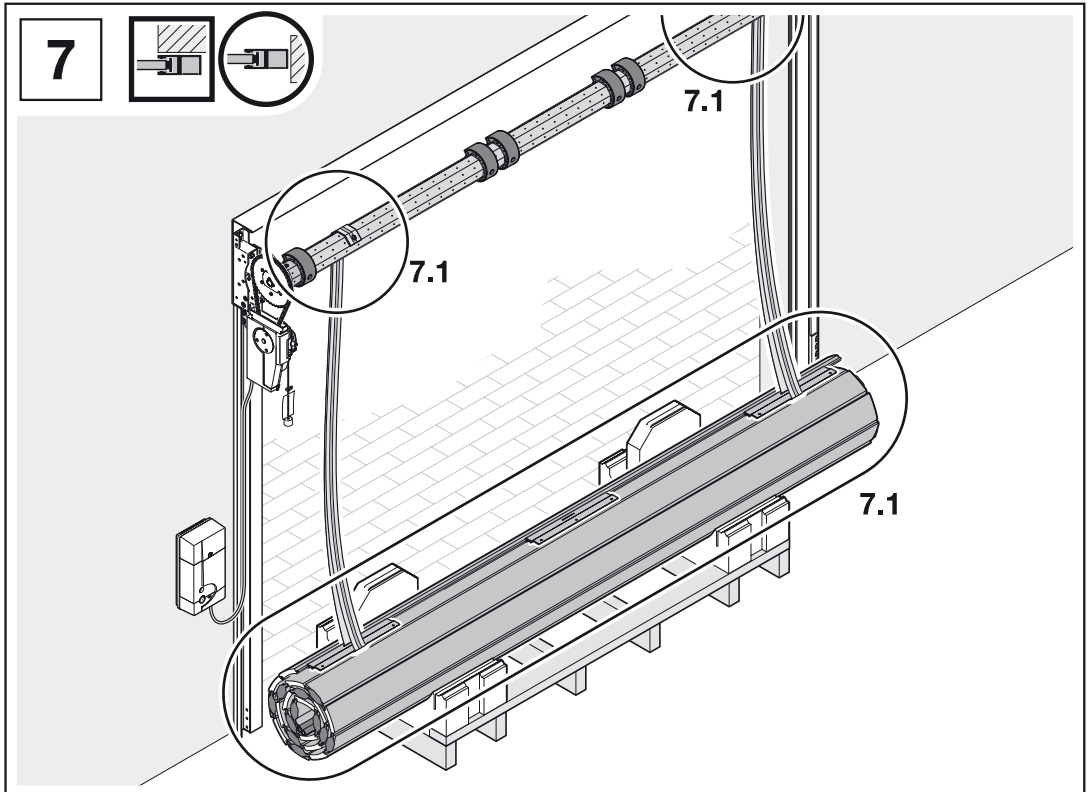
1

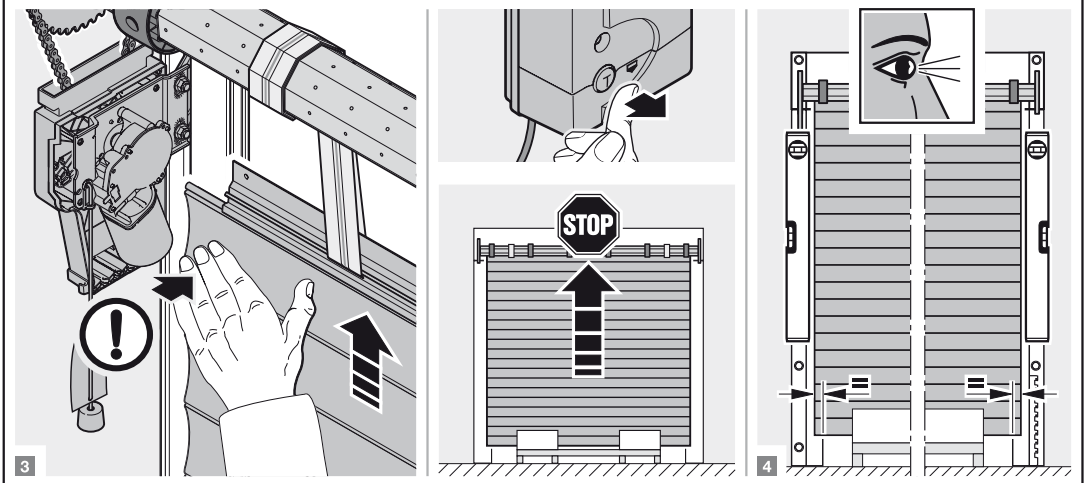
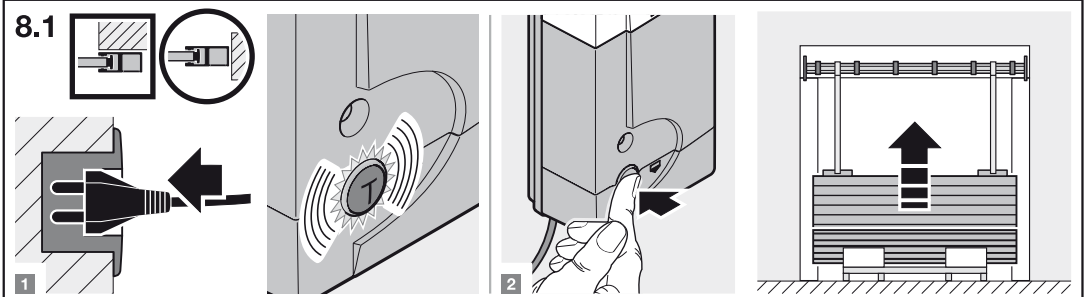
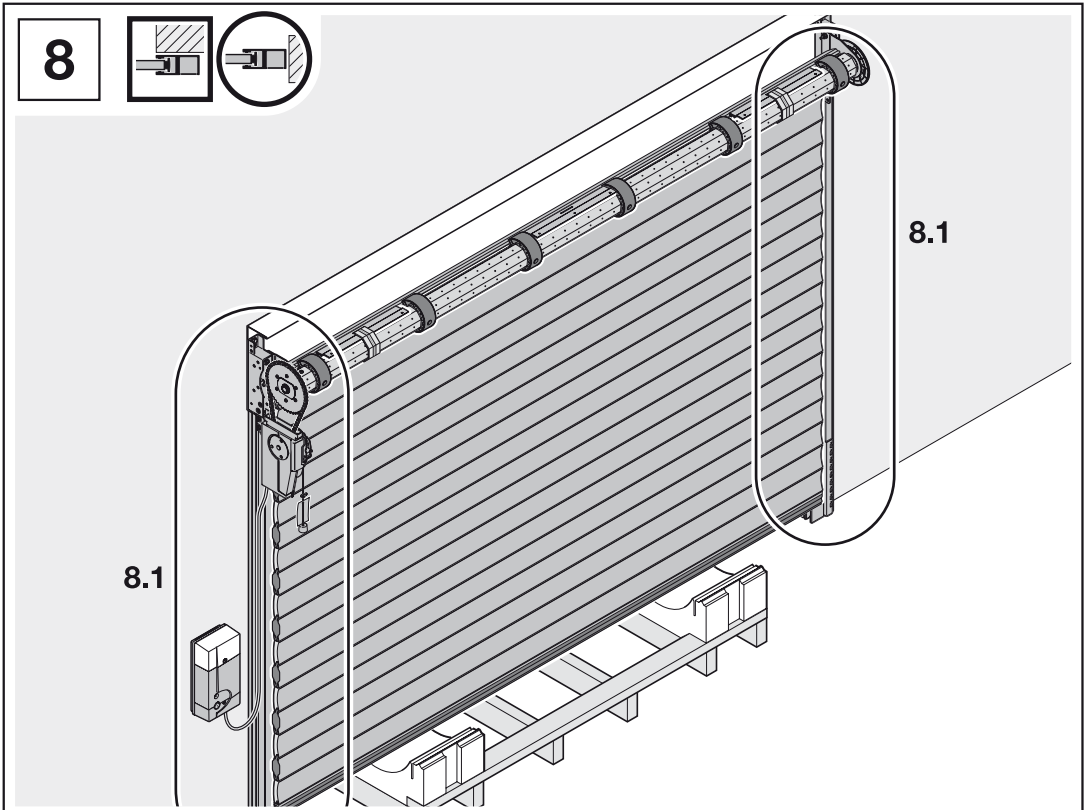


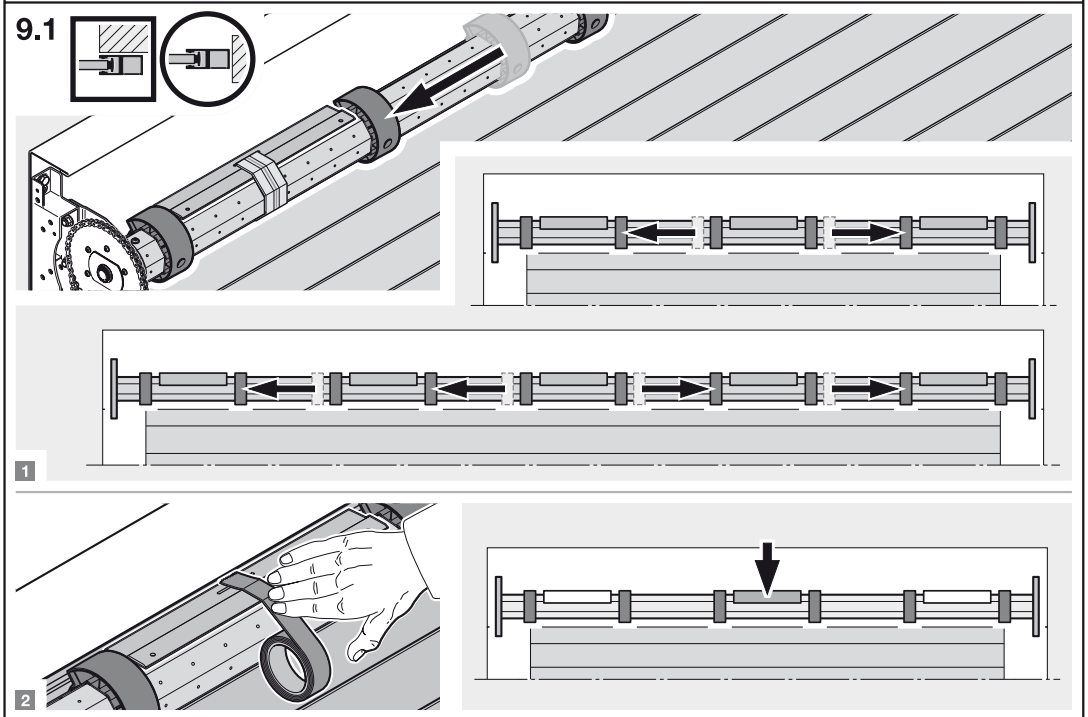
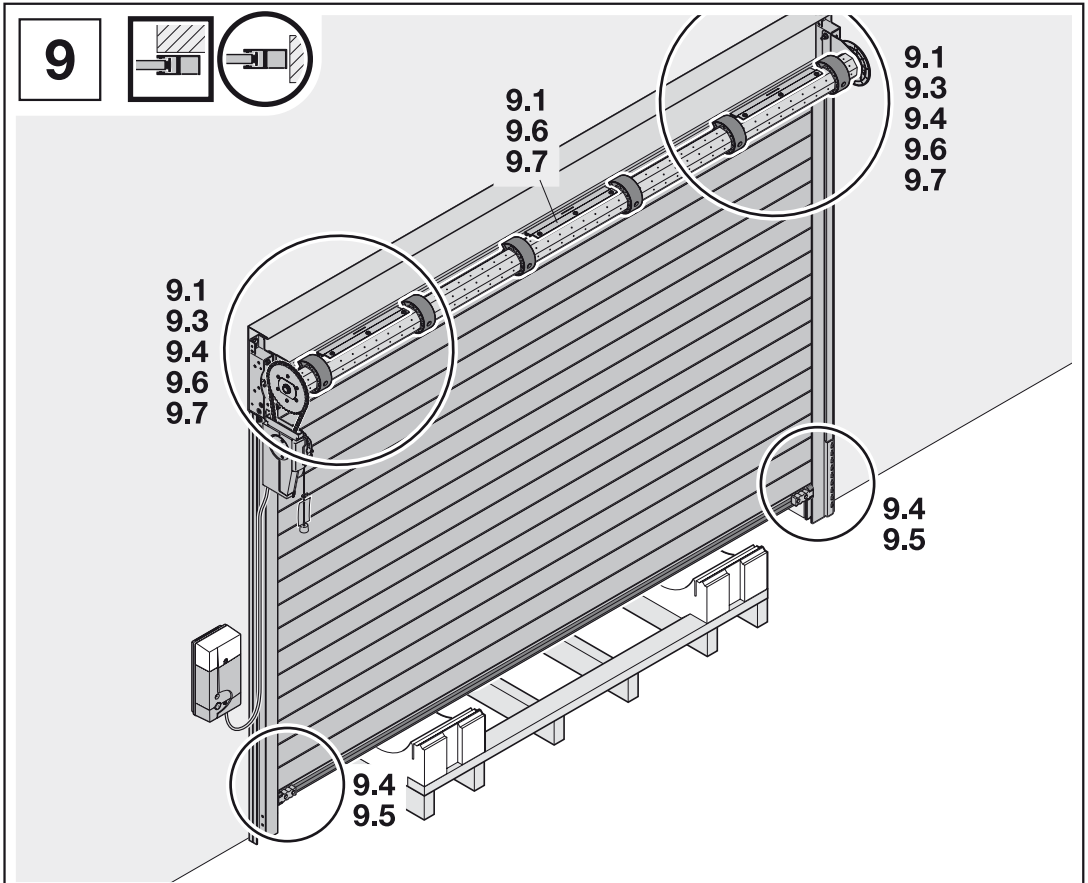
2

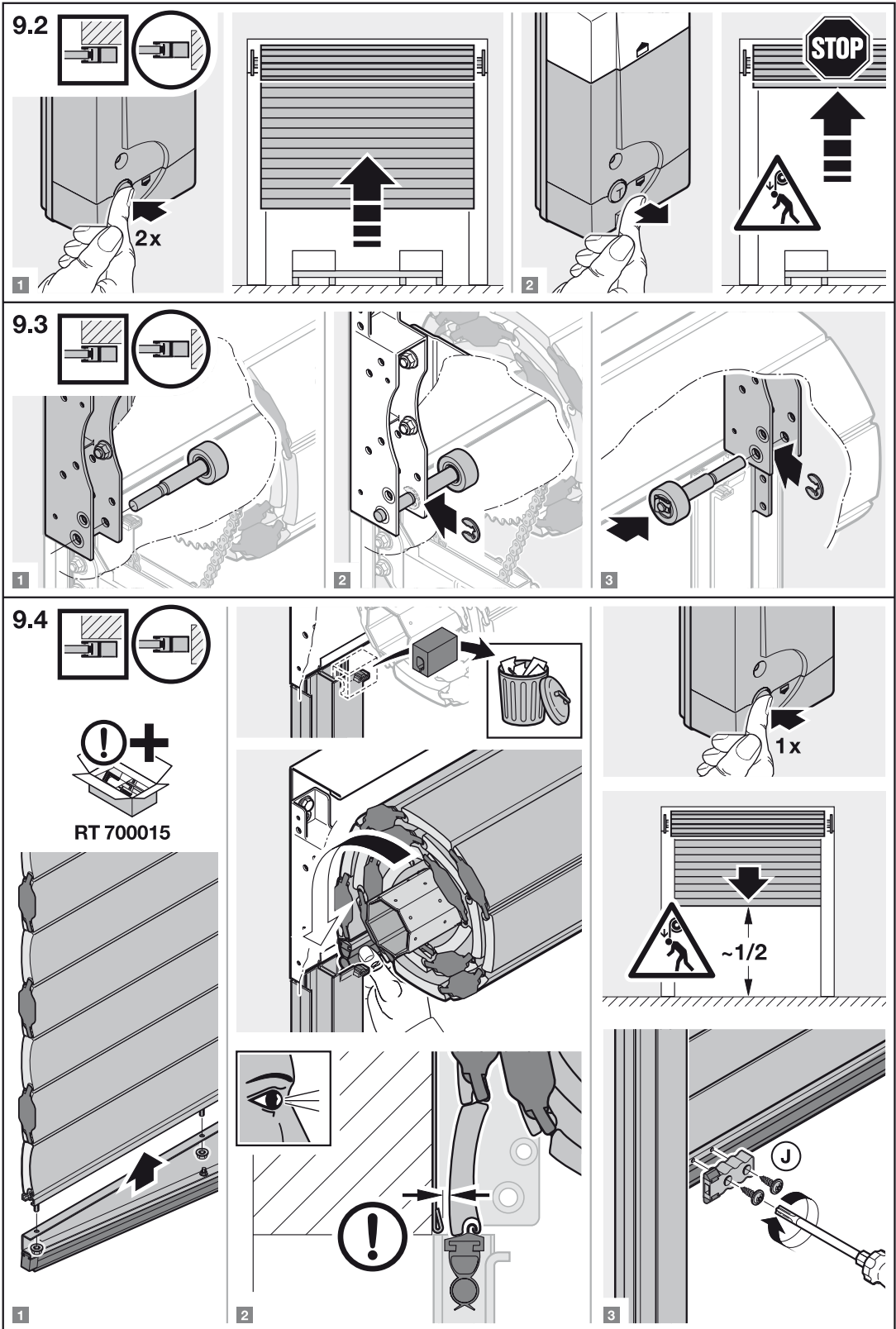


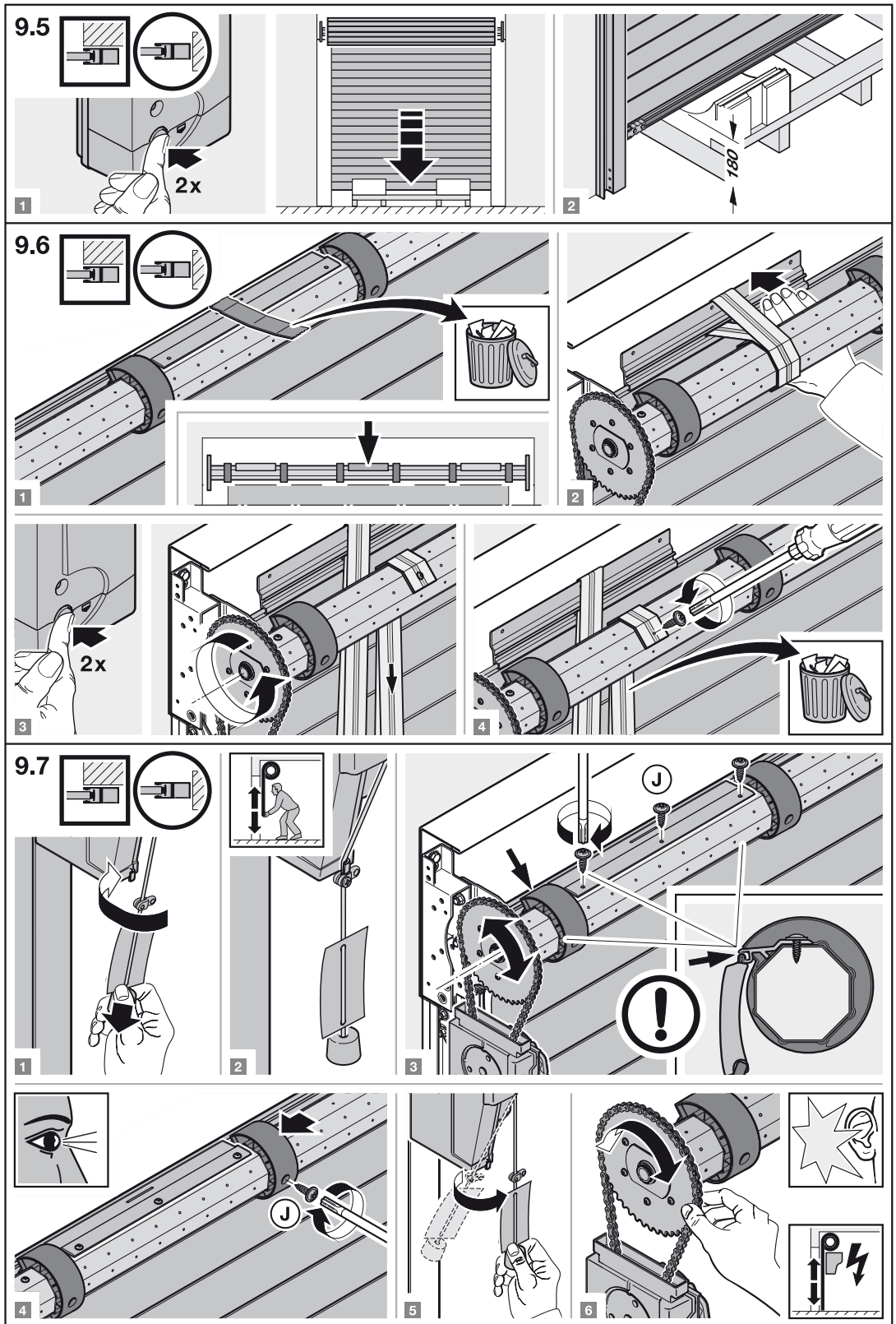
3

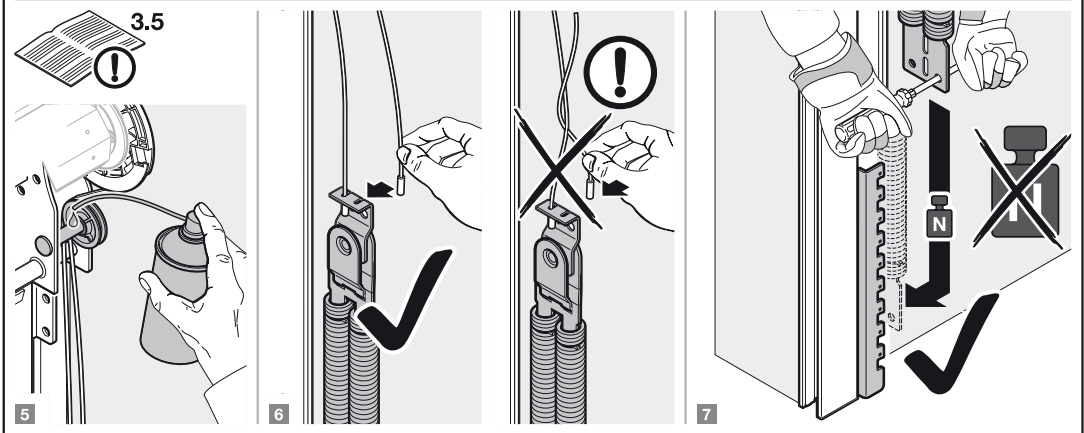
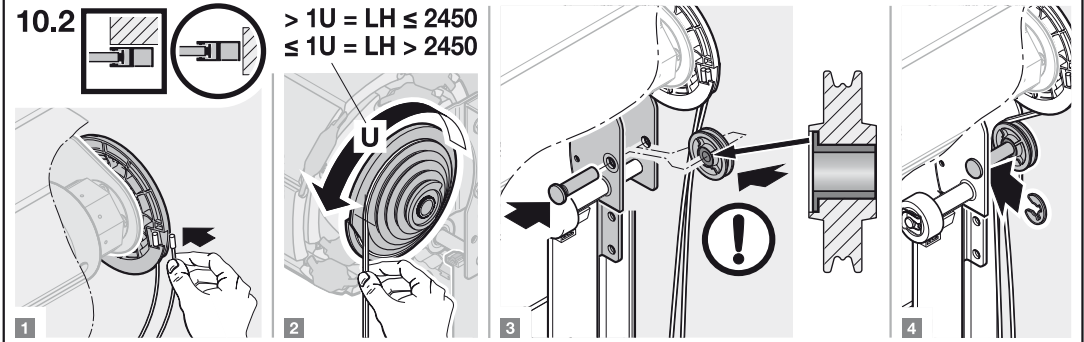
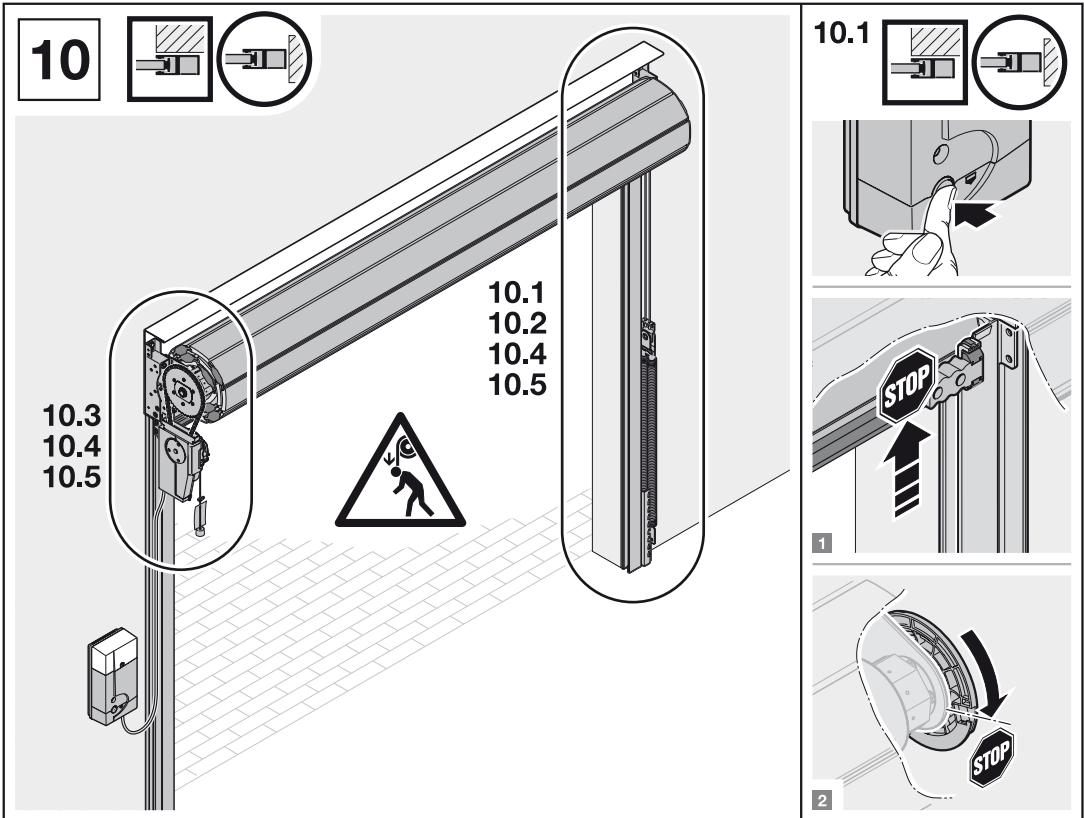














**10.3**

2.3.1

STOP

STOP

STOP

10.5

10.4

1

2

**10.4**

STOP

1

2

3

4

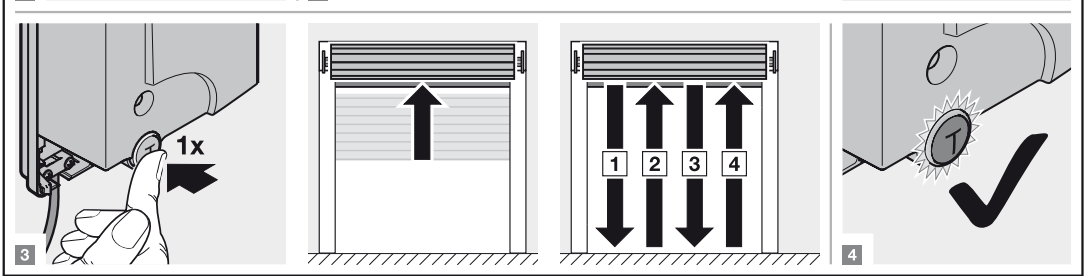
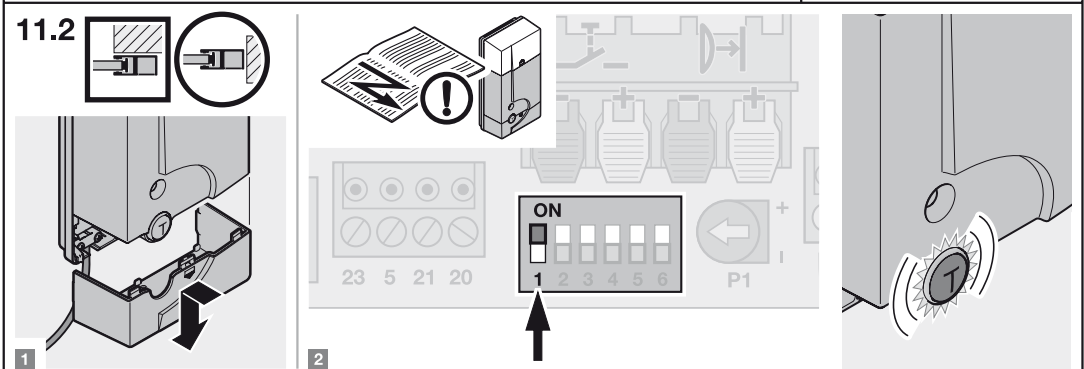
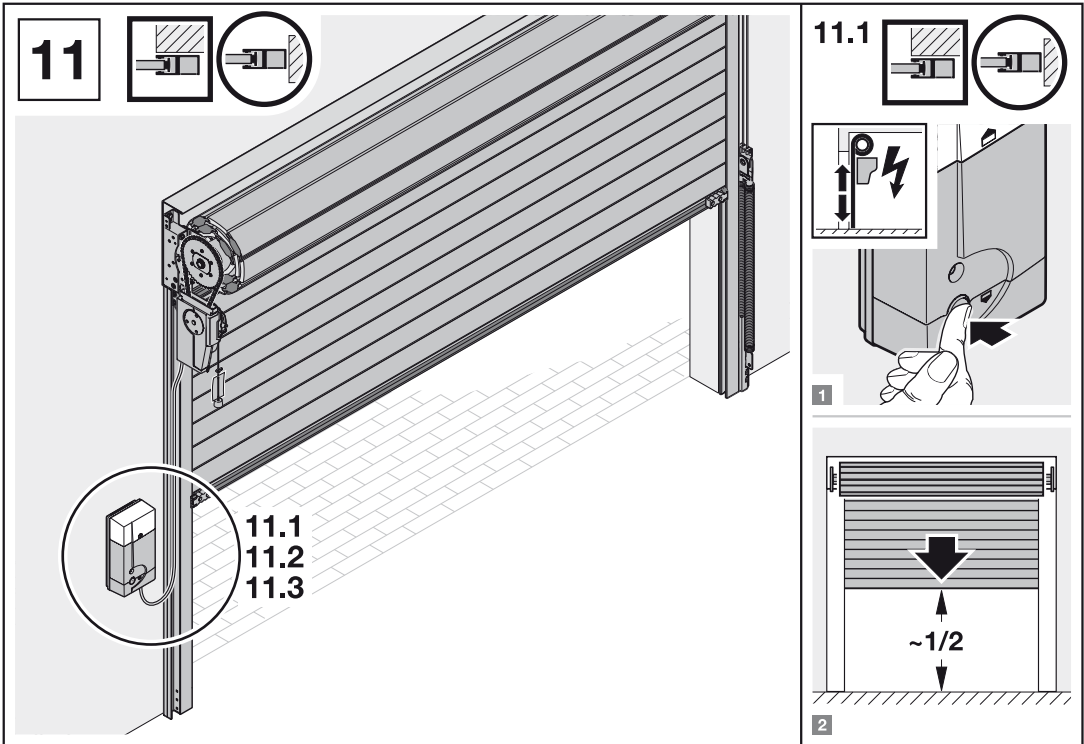
**10.5**

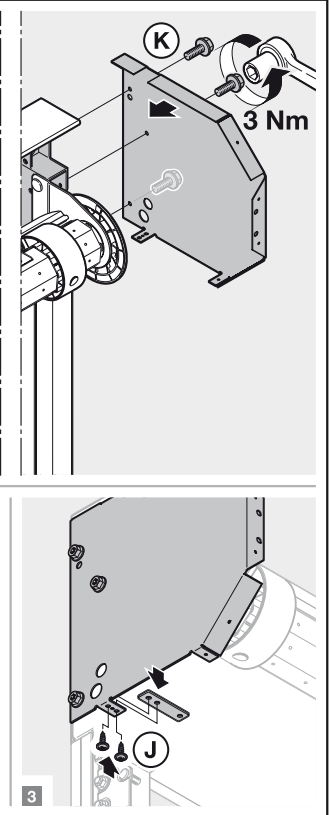
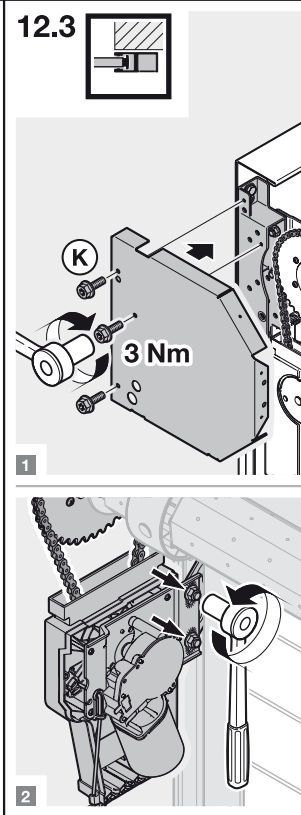
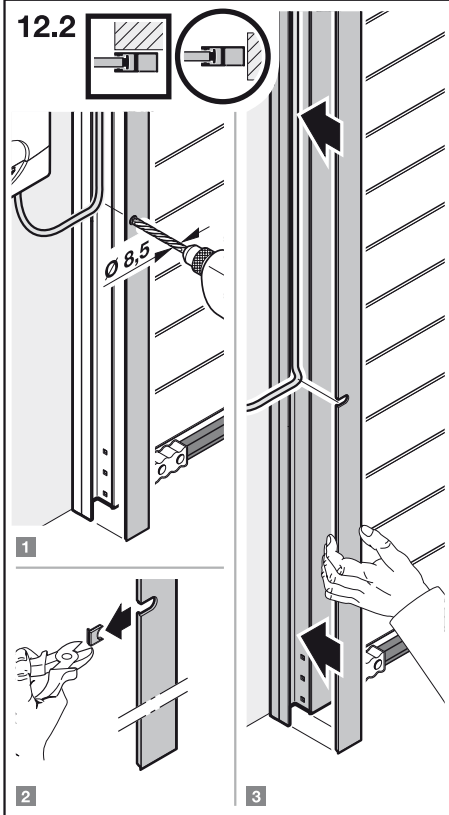
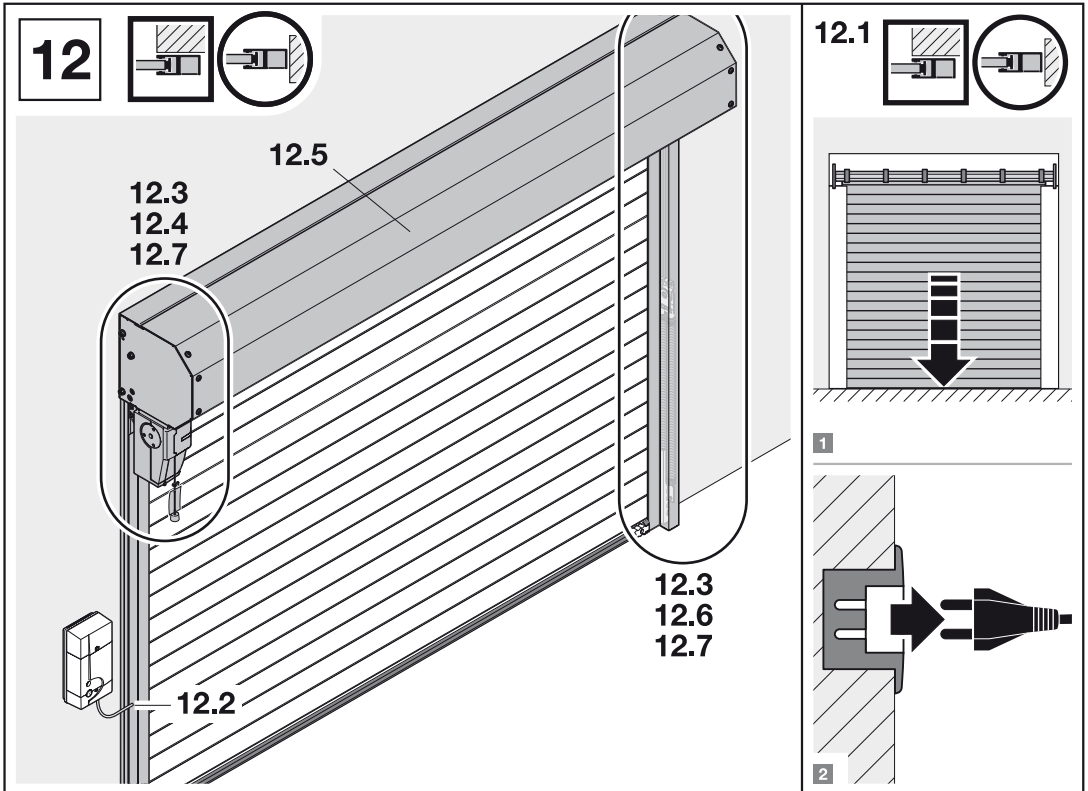
1

2

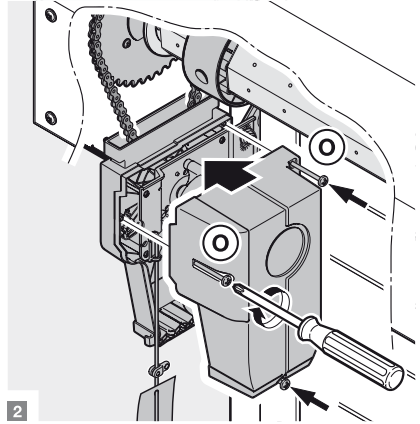
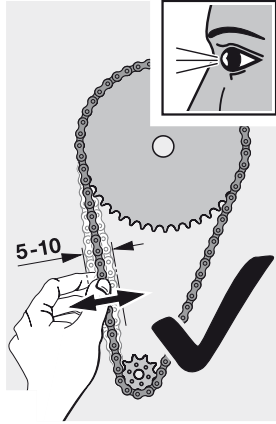
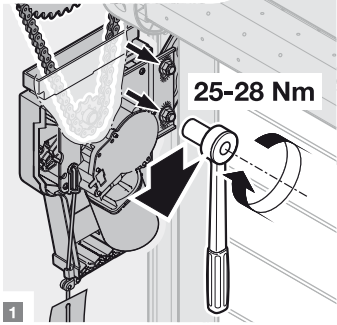
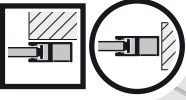
3

4

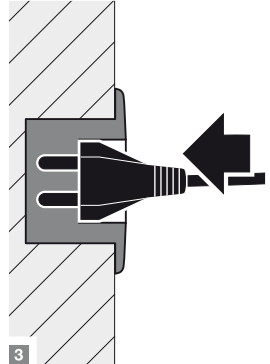
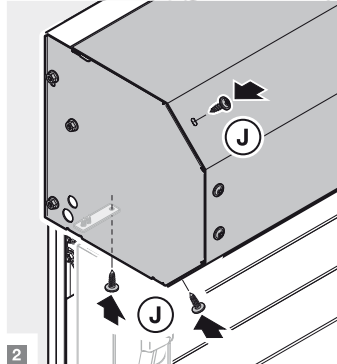
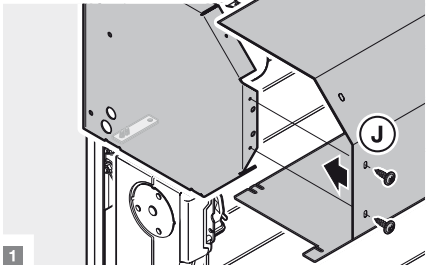
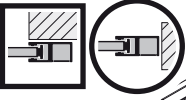




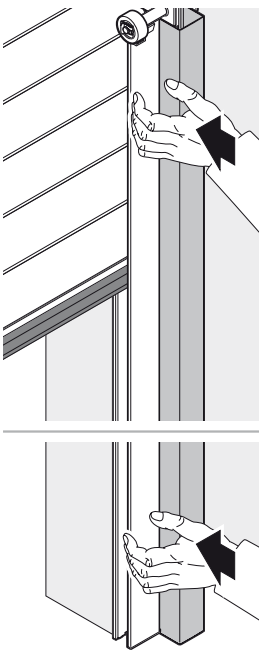
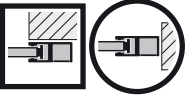
12.4



12.5



12.6



12.7

